

**Parts & Units Catalogue
GAZ-560 Engine and its
Modifications**

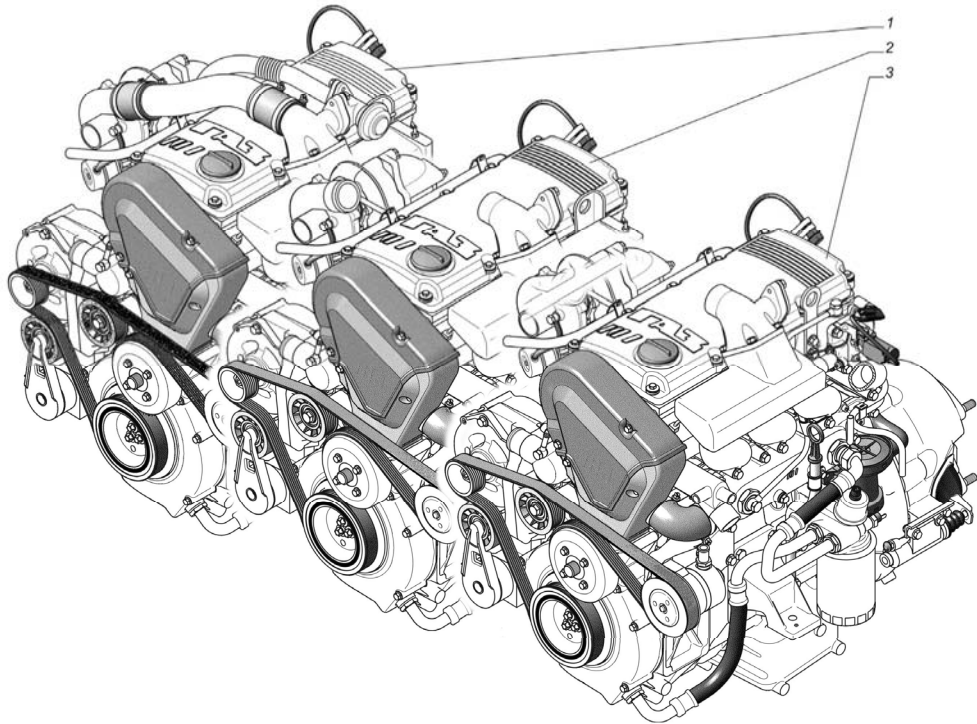


Fig. 1 Engines of GAZ-560 family

Pos.	Designation	Description	Quantity, pcs.			Remarks
			560	5601	5602	
1	560.1000400	Engine with accessories	1			with power steering pump with catalytic converter and EGRS*
1	560.1000400-10	Engine with accessories	1			
2	5601.1000400	Engine with accessories (without gear box) Euro-2		1		
2	5601.1000400-30	Engine with accessories (without gear box) Euro-2		1		without catalytic converter and EGRS*
3	5602.1000400	Engine with accessories (without gear box) Euro-3			1	

*- exhaust gas recirculation system

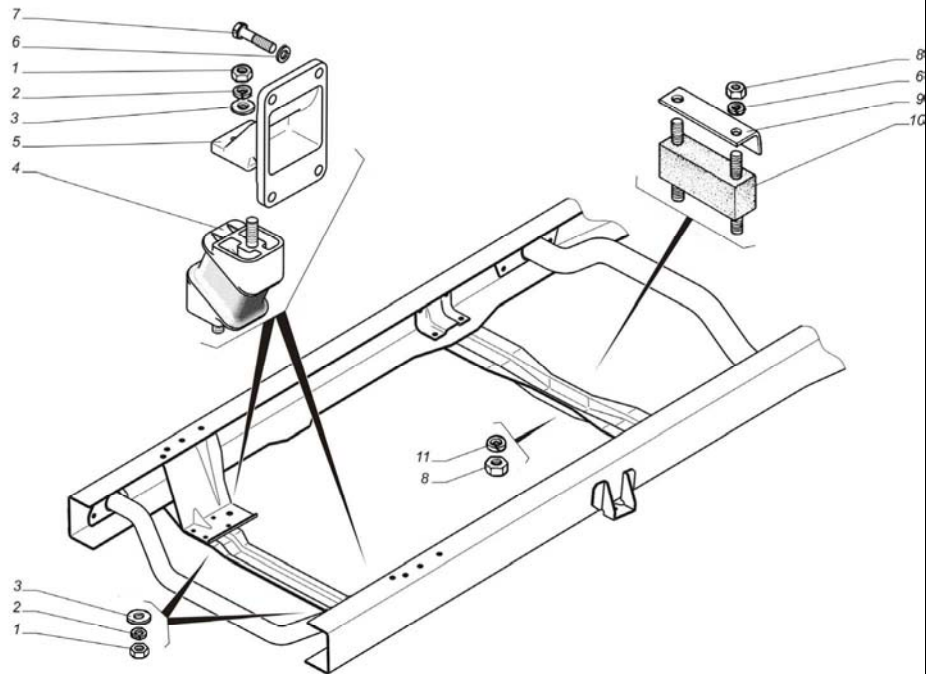


Fig. 2 Engine mounting

Pos.	Designation	Description	Quantity, pcs.			Remarks
			560	5601	5602	
1	250515-II29	Nut M12x1,25-6H OCT 37.001.124-93	4	4	4	
2	252137-II2	Washer 12.OT OCT 37.001.115-75	4	4	4	
3	293368-II29	Washer 12,5	4	4	4	
4	3306-1001020-01	Front pad	2	2	2	
5	330242-1001012	Engine bracket with pin, right	1	1	1	
5	330242-1001013	Engine bracket with pin, left	1	1	1	
6	252156-II2	Washer 10JI OCT 37.001.115-75	10	10	10	
7	201500-II29	Bolt M10-6gx32 OCT 37.001.123-96	8	8	8	
8	250512-II29	Nut M10-6H OCT 37.001.124-93	4	4	4	
9	24-1001037	Upper restraint	1	1	1	
10	24-1001050-B	Rear pad	1	1	1	
11	252136-II2	Washer 10.OT OCT 37.001.115-75	2	2	2	

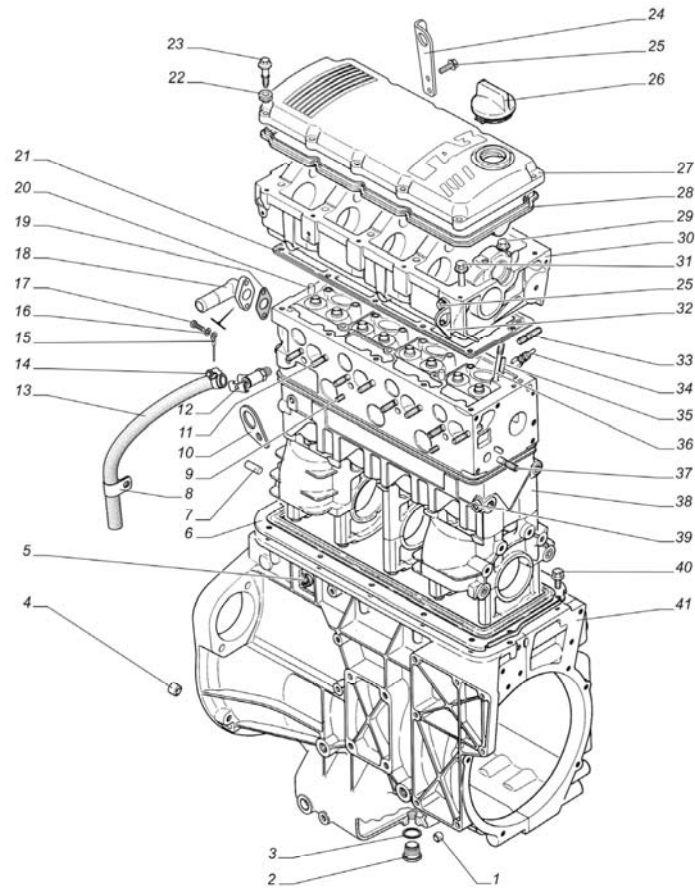


Fig. 3 Cylinder block, crankcase, camshaft body, oil filling hole cap, pin ignition plugs

Pos.	Designation	Description	Quantity, pcs.			Remarks
			560	5601	5602	
1	560.1009067	Receiver bushing (2203543/0)	6	6	6	
2	560.1009030	Screw plug (3961309/0)	2	2	2	
3	560.1013357	Washer (3098026/0)	2	2	2	
4	560.1011107	Receiver bushing (2170298/0)	2	2	2	
5	560.1009065	Rubber plug (2174027/0)	4	4	4	
6	560.1009070	Frame sealing with strap (2040137/2) Pin 10x20 CTII 37.102.1195-97	1	1	1	
7	294082-26	(3901509/0)	2	2	2	
8	297520-II29	Buckle Stud M6x(1-Cn/1-6h)x18 OCT 37.001.180-96	1	1	1	
9	291681-II29	Engine lifting buckle	2	2	2	
10	406.1002358-01	Engine lifting buckle	1	1	1	
11	560.1008301	Stud M8x30	8	8	8	
12	Г-21-1305010-A	Tap BC8-1 OCT 37.001.241-81	1	1	1	
13	13-3563030-01	Hose pipe with thread reinforcement .TORRO12-22/9-	1	1	1	
14	C6W1	Clamp	1	1	1	
15	330242-3724552	Cable Washer 6,4 CTII 37.102.1195-97 (3932008/0)	1	1	1	
16	293155-61	Bolt M6x20-8.8-016 CTII 37.102.1195-97	2	2	2	
17	290015-71	Bolt M6x20-8.8-016 CTII 37.102.1195-97	2	2	2	
18	560.1015082	Heater pipe	1	1	1	
19	560.1015083	Heater pipe gasket	1	1	1	
20	294063-26	Pin 8x18 CTII 37.102.1195-97 (3901416/0)	2	2	2	
21	560.1006134	Gasket	1	1	1	Instead of 2203390/A, 2203390/3
21	2203390/3	Gasket	1	1	1	Instead of 560.1006134, 2203390/A
21	2203390/A	Gasket	1	1	1	Instead of 560.1006134, 2203390/3
22	560.1006146	Rubber washer (2203565/0)	10	10	10	
23	560.1006145	Camshaft body cover fastening bolt (2040204/0)	10	10	10	
24	562.1002343	Link (2040070/2)	1	1	1	
25	290553-71	Bolt M8x20-8.8-016 CTII 37.102.1195-97	4	4	4	
26	406.1009146	Oil filler pipe cap	1	1	1	Instead of 421.1009146
26	421.1009146	Oil filler pipe cap	1	1	1	Instead of 406.1009146
27	560.1006135	Camshaft body cover (2203500/1,N000103/0)	1	1	1	
28	560.1006136	Camshaft body cover gasket (2040184/0)	1	1	1	
29	560.1006217	Bolt M8x130 (9000249/0)	5	5	5	
30	560.1006130	Camshaft body (2203269/5)	1	1	1	
31	560.1006216	Bolt M8x110 (9000248/0)	5	5	5	
32	560.1002344	Link	1	1	1	
32	5602.1002344	Link	1	1	1	

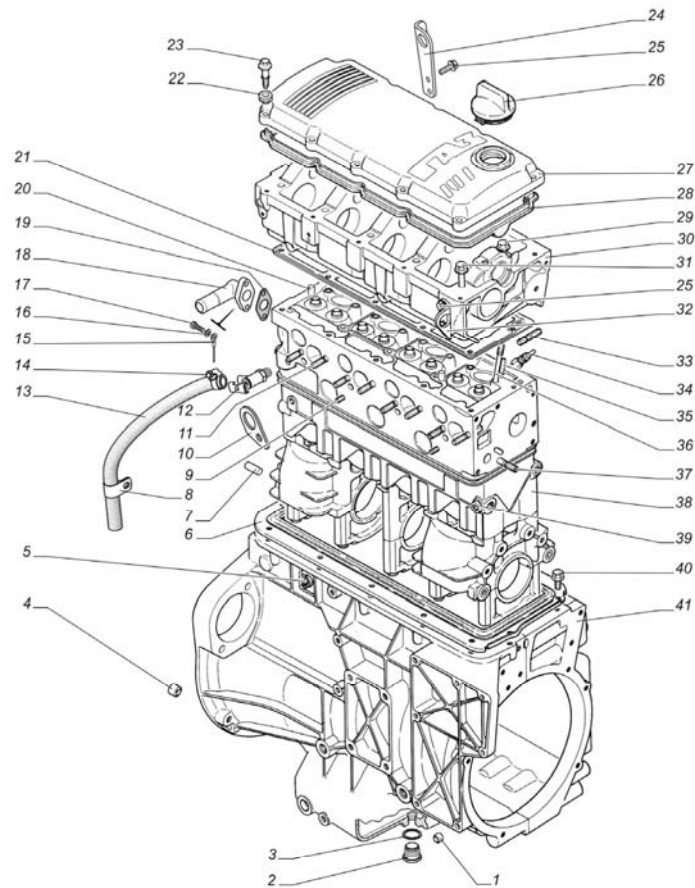


Fig. 3 Cylinder block, crankcase, camshaft body, oil filling hole cap, pin ignition plugs

Pos.	Designation	Description	Quantity, pcs.			Remarks
			560	5601	5602	
33	560.1008302	Stud M8x25	4	4	4	
34	0250202022	Pin ignition plug	4	4	4	Instead of 117211659, 2177492/3, ИЮМА.387524.004
34	11721659	Pin ignition plug	4	4	4	Instead of 0250202022, 2177492/3, ИЮМА.387524.004
34	2177492/3	Pin ignition plug	4	4	4	Instead of 117211659, 0250202022, ИЮМА.387524.004
34	ИЮМА.387524.004	Glow plug, type CH-02 TY4573-014-07510218-2002	4	4	4	Instead of 117211659, 2177492/3, 0250202022
35	294053-16	Pin 6x30 CTII 37.102.1195-97 (3901328/0)	4	4	4	
36	560.1112231	Pump-injector stud (2174321/1)	8	8	8	
37	291419-71	Stud M8x35 CTII 37.102.1195-97 (3812435/0)	1	1	1	
38	560.1002009	Cylinder block (2203233/2)	1	1	1	
39	560.1004113	Oil cooling valve (2178525/1)	1	1	1	
40	290711-71	Bolt M6x12-8.8-016 CTII 37.102.1195-97	14	14	14	
41	560.1009015	Crankcase (2203405/2)	1	1	1	

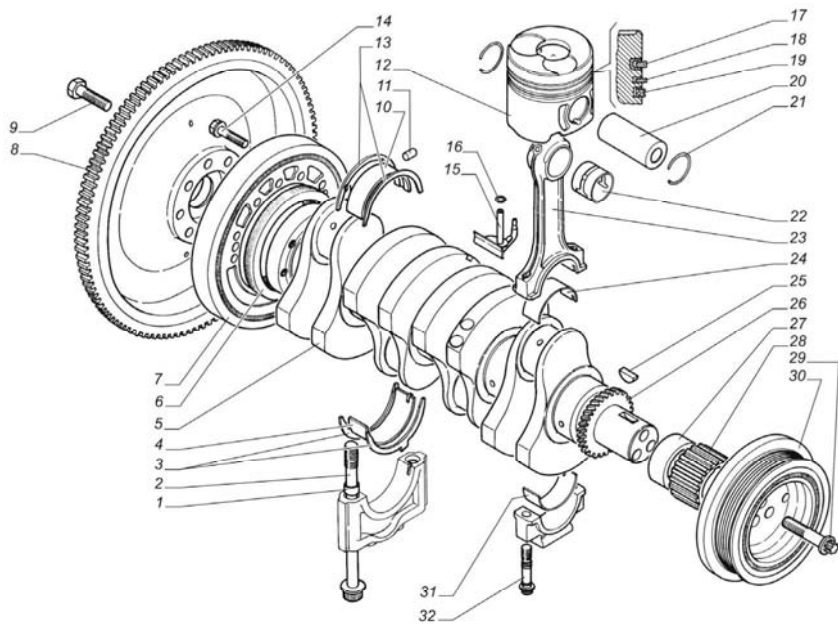


Fig. 4 Crankshaft, engine pistons and connecting-rods, rear carrier ring

Pos.	Designation	Description	Quantity, pcs.			Remarks
			560	5601	5602	
1	560.1005159	Receiver bushing (2172799/0)	16	16	16	
2	560.1005158	Main bearing caps fastening bolt (2174329/0)	10	10	10	
3	560.1005183	Crankshaft thrust bearing washer, lower	2	2	2	Instead of 2172472/K
3	2172472/K	Thrust bearing washer, lower	2	2	2	Instead of 560.1005183
4	560.1005171	Main bearing brass, lower	5	5	5	Instead of 2172470/K
4	2172470/K	Main bearing brass, lower	5	5	5	Instead of 560.1005171
5	560.1005020	Crankshaft	1	1	1	
6	2172289/1	Collar with spring, rear	1	1	1	
7	560.1005161	Carrier ring, rear (2174992/1)	1	1	1	
8	560.1005115	Fly-wheel (2203497/0)	1	1	1	
9	290585-96	Bolt M10x40-12.9-06 CTII 37.102.1195-97	8	8	8	
10	560.1005170	Main bearing brass, upper	5	5	5	Instead of 2172469/K
10	2172469/K	Main bearing brass, upper	5	5	5	Instead of 560.1005170
11	560.1005204	Pin 8x12 (3901406/0)	1	1	1	
12	2178799/B	Piston 20,5	4	4	4	
12	2205159/G	Piston 19,0			4	
13	560.1005184	Crankshaft thrust bearing washer, upper	2	2	2	Instead of 2172471/K
13	2172471/K	Crankshaft thrust bearing washer, upper	2	2	2	Instead of 560.1005184
14	560.1005167	Flanged bolt (2178579/2)	7	7	7	
15	560.1004104	Cooling jet (2178478/0)	4	4	4	
16	560.1004122	O-ring (2173533/0)	4	4	4	
17	2178592/A	Piston compression ring	4	4	4	
18	2178591/A	Piston compression ring	4	4	4	
19	2178593/A	Oil-scraper ring	4	4	4	
20	560.1004020	Piston pin (2178038/0)	4	4	4	
21	560.1004022	Retaining ring (2309135/0)	8	8	8	
22	2178488/K	Connecting-rod bushing	4	4	4	
23	560.1004045-02	Connecting-rod with cover (2178514/0)	4	4	4	Instead of 560.1004045-03
23	560.1004045-03	Connecting-rod with cover (2178514/5)	4	4	4	Instead of 560.1004045-02
24	2172684/K	Connecting-rod insert	4	4	4	
25	296019-40	Semicircular key 8x9 CTII 37.102.1195-97	1	1	1	
26	560.1011071	Drive gear (2172584/0)	1	1	1	
27	560.1005026	Bushing (2172316/0)	1	1	1	
28	560.1006016	Crankshaft pulley (2172770/0,2178506/0)	1	1	1	
29	560.1005066	Balancer fastening bolt (2205328/0)	3	3	3	Instead of 560.1005066-01
29	560.1005066-01	Balancer fastening bolt	4	4	4	Instead of 560.1005066
30	2203498/0	Torsional balancer	1	1	1	
31	2172685/K	Connecting-rod insert	4	4	4	
32	560.1004062	Connecting-rod bolt (2178532/0)	8	8	8	

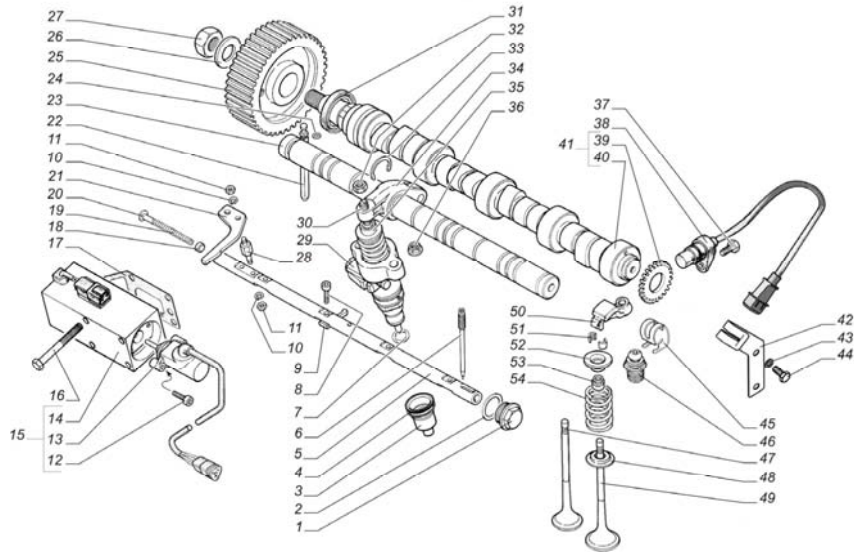


Fig. 5 Camshaft, rocker pivot, pump-injectors and valves, servomagnet with rod position sensor and engine control system rotary speed sensor

Pos.	Designation	Description	Quantity, pcs.			Remarks
			560	5601	5602	
1	560.1110238-10	Plug	1	1	1	
2	560.1110239	Gasket	1	1	1	
3	560.1112229	Pump-injector insert(2177615/0)	4	4	4	
4	560.1112210	O-ring (2177616/0)	4	4	4	
5	560.1110034	Regulating rod (2203289/0)	1	1	1	
6	560.1110191	Leading-in pin (2177513/2)	1	1	1	
7	560.1112208	Pump-injector gasket (2174737/0)	4	4	4	
8	560.1110240	Screw M5x20 (3860140/0)	4	4	4	
9	560.1110213	Lever (2174642/0)	4	4	4	Instead of 560.1110213-01
9	560.1110213-01	Lever	4	4	4	Instead of 560.1110213
10	252153-II2	Washer 5JI OCT 37.001.115-75	4	4	4	
11	292103-51	Nut M5-6H CTII 37.102.1195-97	4	4	4	
12	290005-71	Bolt M5x20 (9000116/0)	2	2	2	
13	2176622/1	Rod position sensor	1	1	1	
14	2176761/3	Servomagnet	1	1	1	
15	2205211/2	Servomagnet with rod position sensor	1	1	1	
16	290964-71	Bolt M8x70-8.8-016 CTII 37.102.1195-97	4	4	4	
17	560.3761205	Gasket	1	1	1	Instead of 2205223/0
17	2205223/0	Gasket	1	1	1	Instead of 560.3761205
18	560.1110237	Spacing washer (2203337/0)	1	1	1	
19	560.1110036	Rod spring (2203338/0)	1	1	1	
20	560.1110241	Spring guide (2203460/0)	1	1	1	
21	560.1110184-10	Regulating lever	1	1	1	
22	560.1029081	Rocker pivot detent (2178486/1)	1	1	1	
23	560.1029070	Rocker pivot (2173694/1)	1	1	1	
23	5602.1029070	Rocker pivot			1	
24	560.1029082	O-ring	1	1	1	
25	560.1006020	Camshaft pulley (2177642/0,2178895/0)	1	1	1	
26	293019-11	Washer 21 CTII 37.102.1195-97 (3930322/0)	1	1	1	
27	292122-51	Nut M20x1,5 CTII 37.102.1195-97 (3871365/0)	1	1	1	
28	560.1110225	Spacing bolt (2176746/1)	2	2	2	
29	2176590/1	Pump-injector 590/1	4	4	4	
30	560.1029068	Regulating screw (2174419/0)	4	4	4	
31	2172529/1	Collar with spring	1	1	1	
32	542.1007076	Regulating screw nut	4	4	4	
33	560.1029075	Retaining ring	8	8	8	
34	560.1029060	Rocker (2172079/1)	4	4	4	
34	5602.1029060	Rocker			4	
35	560.1029077	Regulating screw support (2178102/1)	4	4	4	
36	292353-51	Nut M8-8-016 (9000056/1)	8	8	8	
37	290712-71	Bolt M6x16 CTII 37.102.1195-97 (9000273/0)	1	1	1	
38	2176734/2	Rotary speed sensor	1	1	1	Instead of 39.3843000
38	39.3843000	Rotary speed sensor	1	1	1	Instead of 2176734/2
39	560.3761214-01	Sensor plate	1	1	1	

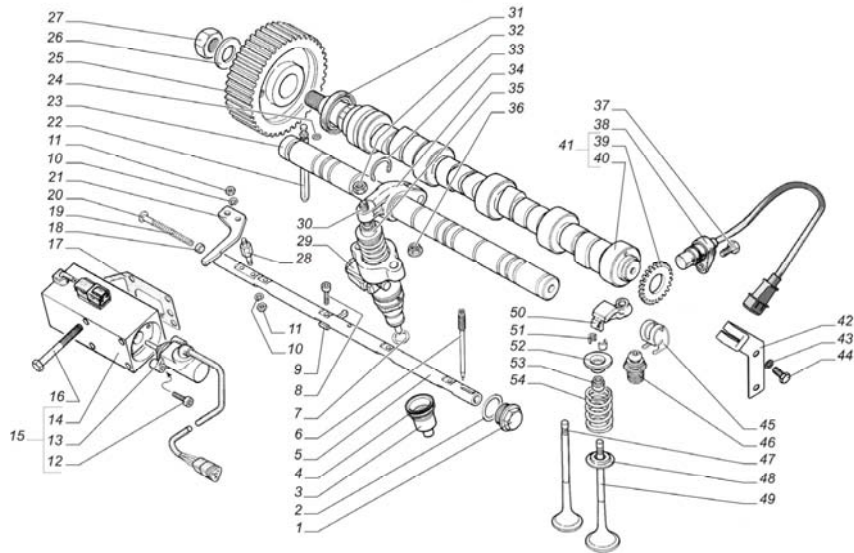


Fig. 5 Camshaft, rocker pivot, pump-injectors and valves, servomagnet with rod position sensor and engine control system rotary speed sensor

Pos.	Designation	Description	Quantity, pcs.			Remarks
			560	5601	5602	
40	560.1006015	Camshaft (2203266/6, 2170036/0, 2174456/0, 2174	1	1	1	
41	560.1006010	Camshaft with sensor plate (2203267/6)	1	1	1	
42	560.3761201-10	Bracket	1	1	1	
43	201416-II29	Bolt M6-6gx12 OCT 37.001.123-96	2	2	2	
44	252154-II2	Washer 6JI OCT 37.001.115-75	2	2	2	
45	560.1007162	Valve lever spring (2174552/0)	8	8	8	
46	560.1007070	Valve clearance compensator (2174546/2)	8	8	8	
47	2177577/1	Exhaust valve	4	4	4	Instead of 2177577/5
47	2177577/5	Exhaust valve	4	4	4	Instead of 2177577/1
48	560.1007022	Valve spring support washer (2177415/0)	8	8	8	
49	2177576/1	Intake valve	4	4	4	Instead of 2177576/5
49	2177576/5	Intake valve	4	4	4	Instead of 2177576/1
50	560.1007114	Valve lever(2177139/1)	8	8	8	
51	560.1007028	Valve retainer (2170171/A)	16	16	16	
52	560.1007025	Valve spring plate (2177349/0)	8	8	8	
53	2172096/0	Oil deflector cap with spring	8	8	8	Instead of 560.1007026-01
53	560.1007026-01	Oil deflector cap with spring	8	8	8	Instead of 217096/0
54	560.1007020	Valve spring (2172362/0)	8	8	8	Instead of 560.1007020-01
54	560.1007020-01	Valve spring	8	8	8	Instead of 560.1007020

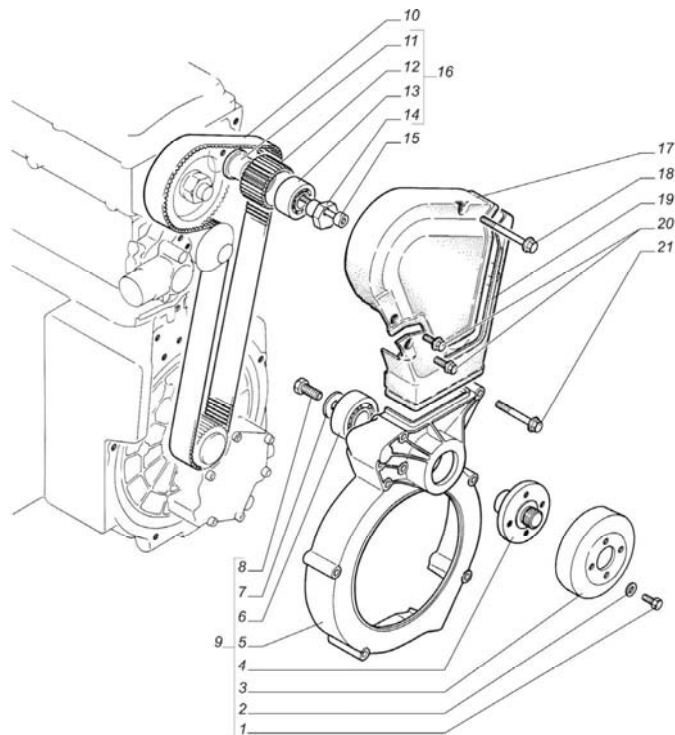


Fig. 6 Camshaft belt drive, cogged belt caps and fan support

Pos.	Designation	Description	Quantity, pcs.			Remarks
			560	5601	5602	
1	290487-II29	Bolt M6x12	4	4	4	
2	293155-61	Washer 6,4 CTII 37.102.1195-97 (3932008/0)	4	4	4	
3	560.1308025-10	Fan pulley	1	1	1	with power steering pump
3	560.1308025	Fan pulley	1	1	1	
4	560.1308087-10	Fan drive shaft	1	1	1	with power steering pump
4	560.1308087	Fan drive shaft	1	1	1	
5	560.1006173	Cogged belt cap, lower	1	1	1	with power steering pump
5	560.1006173-10	Cogged belt cap, lower	1	1	1	
6	2203561/0	Bearing	1	1	1	Instead of 76-3356206E1
6	76-3356206E1	Bearing	1	1	1	Instead of 2203561/0
7	560.1308086	Washer	1	1	1	
8	290579-71	Bolt M10x20-8.8-016 CTII 37.102.1195-97	1	1	1	
9	560.1308080-10	Fan support	1	1	1	
10	.2178073/1	Cogged belt	1	1	1	
11	560.1006201	Spacing bushing (2178545/2)	1	1	1	
12	560.1006203	Tension roller cogged pulley (2178547/3)	1	1	1	
13	3310036/0	Bearing 3205B/2RSR/TG/N3	1	1	1	
14	560.1006202	Eccentric bolt (2178546/2)	1	1	1	
15	290063-81	Bolt M10x70-10.9-016 CTII 37.102.1195-97 (3860155/0)	1	1	1	
16	560.1006200	Tension roller (2178548/4)	1	1	1	
17	560.1006170	Cogged belt cap, upper (2203533/0)	1	1	1	
18	560.1006212	Bolt M6x70 (9000274/0)	2	2	2	
19	560.1006176	Cogged belt cap, intermediate (2203522/0)	1	1	1	
20	290712-71	Bolt M6x16 CTII 37.102.1195-97 (9000273/0)	2	2	2	
21	560.1308102	Bolt M6x65	12	12	12	

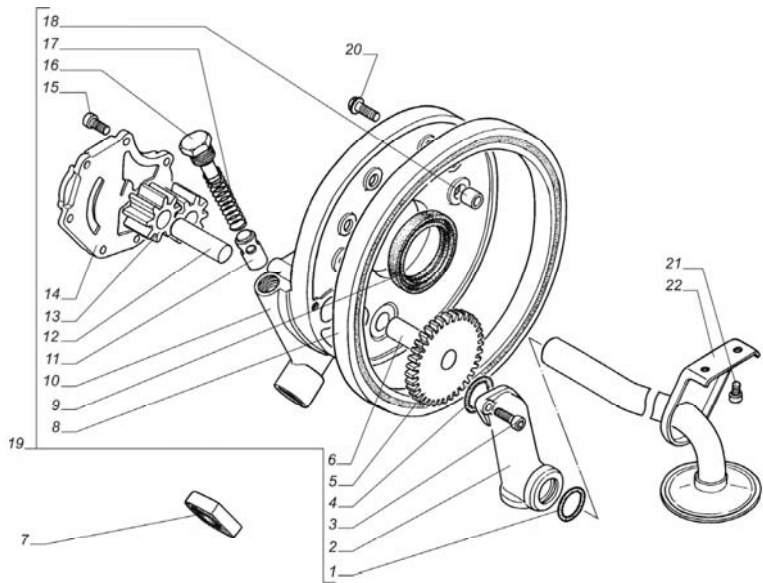


Fig. 7 Oil receiver and engine oil pump, front carrier ring

Pos.	Designation	Description	Quantity, pcs.			Remarks
			560	5601	5602	
1	560.1011086	O-ring (2173705/1)	1	1	1	
2	560.1011090-01	Suction pipe	1	1	1	
3	290015-71	Bolt M6x20-8.8-016 CTII 37.102.1195-97	2	2	2	
4	560.1011109	O-ring (2040153/0)	1	1	1	
5	560.1011070	Driven gear (2172585/3)	1	1	1	
6	560.1011025	Drive shaft (2172285/1)	1	1	1	
7	560.1011130	Hose bushing (2040060/1)	1	1	1	
8	560.1011110	Carrier ring, front (2174237/1)	1	1	1	
9	2170276/1	Collar with spring, front	1	1	1	Instead of 406.
9	406.1005034-02	Collar with spring 55x70-8	1	1	1	1005034-02 Instead of 2170276/1
10	560.1011020	Pump case (2178324/4)	1	1	1	
11	560.1011062	Plunger (2172108/1)	1	1	1	
12	560.1011042	Driven shaft (2172284/2)	1	1	1	
13	560.1011032	Oil pump gear (2178065/1)	2	2	2	
14	560.1011052	Cap (2173476/1)	1	1	1	
15	290363-71	Bolt M6x16 CTII 37.102.1195-97	7	7	7	
16	560.1011061	Plug (2173483/1)	1	1	1	
17	560.1011058	Spring (2172600/0)	1	1	1	
18	560.1011107	Receiver bushing (2170298/0)	2	2	2	
19	560.1011010	Oil pump (2173518/3)	1	1	1	
20	560.1005167	Flanged bolt (2178579/2)	7	7	7	
21	290487-II29	Bolt M6x12	2	2	2	
22	560.1010010	Oil receiver	1	1	1	

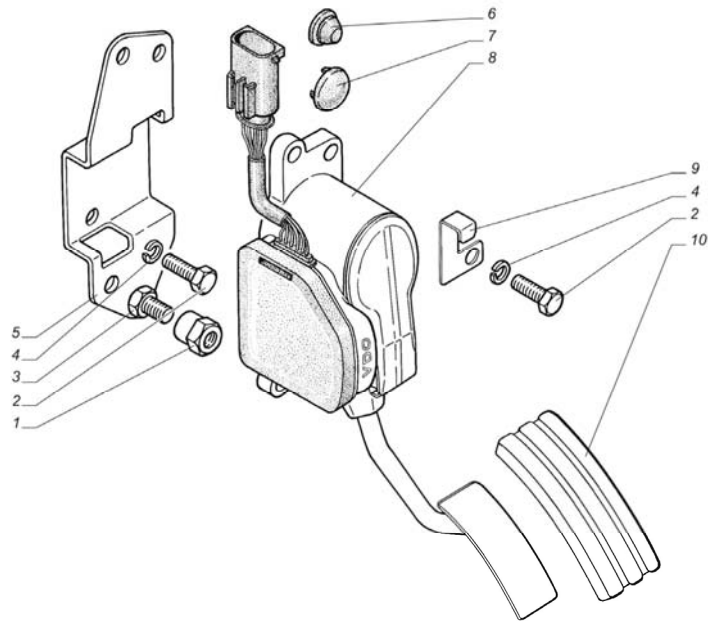


Fig. 8 Pedal module with accelerator pedal position sensor of engine control system

Pos.	Designation	Description	Quantity, pcs.			Remarks
			560	5601	5602	
1	292754-П8	Nut M8	1	1	1	
2	201420-П29	Bolt M6-6gx20 OCT 37.001.123-96	3	3	3	
3	250610-П29	Nut M8-6H OCT 37.001.124-93	1	1	1	
4	252134-П2	Washer 6T OCT 37.001.115-75	5	5	5	
5	330242-1108546	Pedal module bracket	1	1	1	
6	21M-5101824	Plug	1	1	1	
7	330242-1108266	Plug	1	1	1	
8	2176830/3	Pedal module	1	1	1	Instead of КБА.453621.001
8	КДБА.453621.001	Pedal module	1	1	1	Instead of 2176830/3
9	330242-3761225	Bracket	1	1	1	
10	330242-1108048	Accelerator pedal pad	1	1	1	

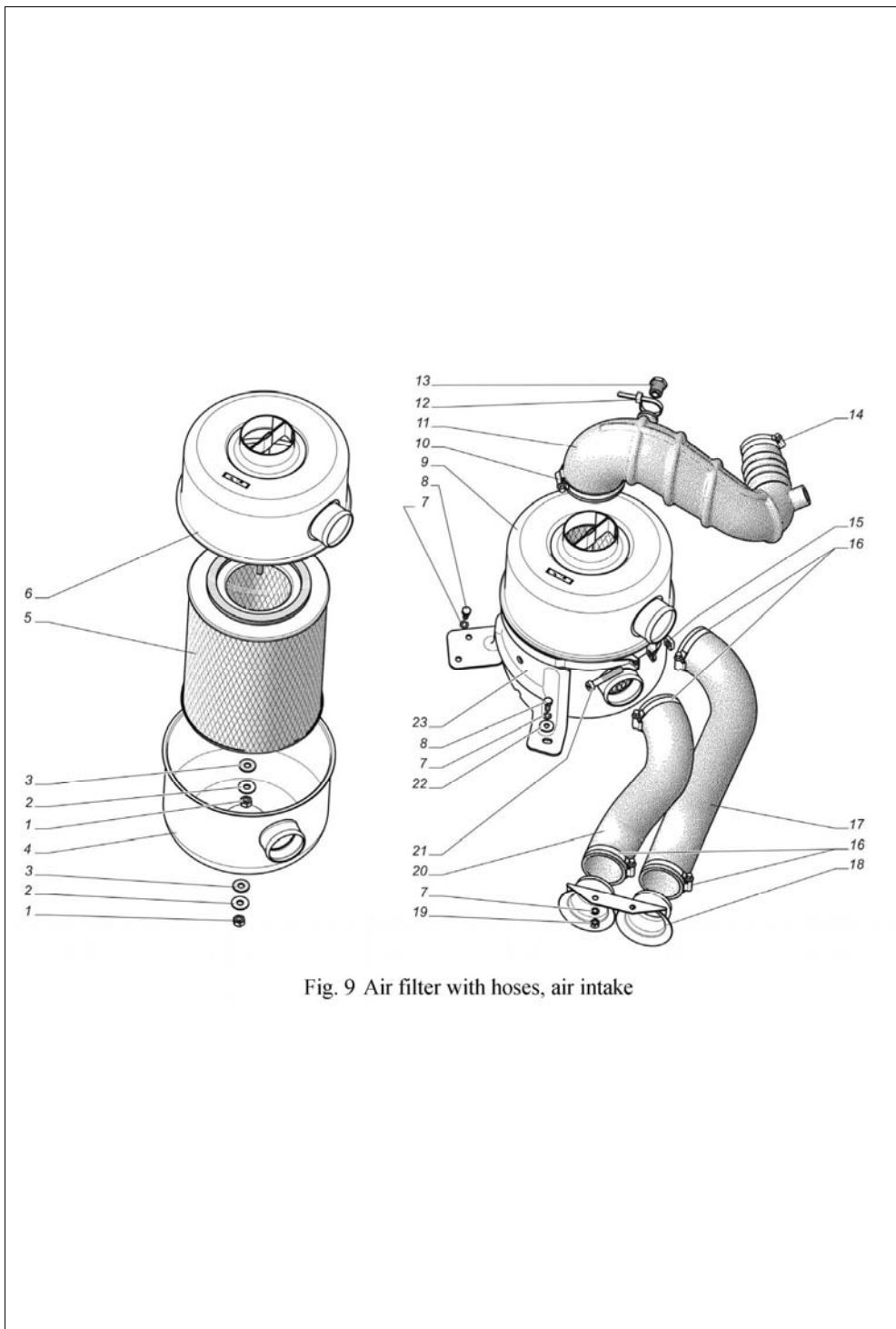


Fig. 9 Air filter with hoses, air intake

Pos.	Designation	Description	Quantity, pcs.			Remarks
			560	5601	5602	
1	250510-П29	Nut M8-6H OCT 37.001.124-93	2	2	2	
2	252038-П29	Washer 8 OCT 37.001.144-96	2	2	2	
3	A-35392	Gasket	2	2	2	
4	3110-1109036	Filter body - lower part	1	1	1	
5	GB-75	Filter element	1	1	1	Instead of B4226,
						ПАЛТ137-01,
						3110-1109013-10,
						3110-1109013-11
5	B4226	Filter element	1	1	1	Instead of GB-75,
						ПАЛТ137-01,
						3110-1109013-10,
						3110-1109013-11
5	ПАЛТ137-01	Air filter element for Volga passenger car	1	1	1	Instead of GB-75,
						B4226, 3110-
						1109013-10, 3110-
						1109013-11
5	3110-1109013-10	Filter element	1	1	1	Instead of GB-75,
						B4226, ПАЛТ
						137-01, 3110-
						1109013-11
5	3110-1109013-11	Filter element	1	1	1	Instead of GB-75,
						B4226, ПАЛТ
						137-01, 3110-
						1109013-10
6	3110-1109051-10	Filter body - upper part	1	1	1	
7	252134-П2	Washer 6T OCT 37.001.115-75	5	5	5	
8	201417-П29	Bolt M6-6gx14 OCT 37.001.123-96	3	3	3	
9	3302-1109010-10	Air filter	1	1	1	
	TORRO70-90/9-		1	1	1	
10	C7W1	Clamp				
11	3302-1109192-20	Hose	1	1	1	
12	3105-3724527	Belt	1	1	1	
13	2174425/2	Charging air temperature sensor	1			Instead of ИЦФР.
						405213.001,
						14.3832000
13	ИЦФР.405213.001	Temperature sensor ИЦФР.405213.001TY	1			Instead of
						2174425/2,
						14.3832000
13	14.3832000	Temperature sensor 14.3832 TY 37.459.290-01	1			Instead of ИЦФР.
						405213.001,
						2174425/2
13	262543-П29	Plug КГ 3/8"		1	1	
14	00.78.00-02	Clamp 44-56 TY 4599-001-21511064-94	1	1	1	
15	251106-П29	Nut M8-6H OCT 37.001.112-91	1	1	1	
16	ТВОС-049.001-06	Clamp 50-70 TY 4599-003-03966022-00	4	4	4	Instead of
						00.78.00-03
16	00.78.00-03	Clamp 54-72 TY 4599-001-21511064-94	4	4	4	Instead of ТВОС-
						049.001-06
17	3302-1109192-11	Hose	1	1	1	
18	3302-1109185	Air intake	1	1	1	
19	250508-П29	Nut M6-6H OCT 37.001.124-93	2	2	2	
20	3302-1109192-12	Hose	1	1	1	
21	222595-П29	Screw M8-6gx48 OCT 37.001.128-96	1	1	1	

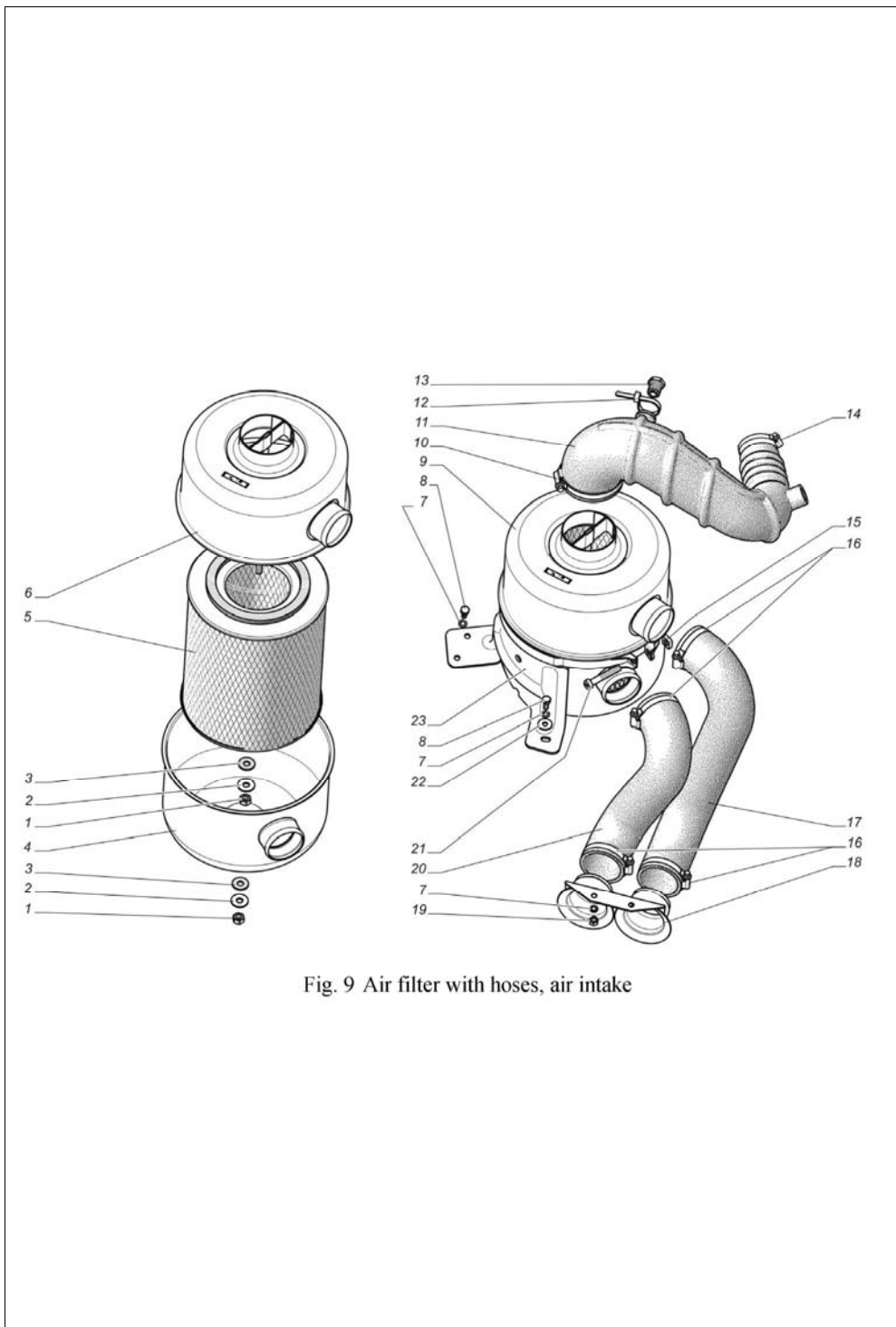


Fig. 9 Air filter with hoses, air intake

Pos.	Designation	Description	Quantity, pcs.			Remarks
			560	5601	5602	
22	252004-II29	Washer 6 OCT 37.001.144-96	1	1	1	
23	3302-1109136-10	Bracket	1	1	1	

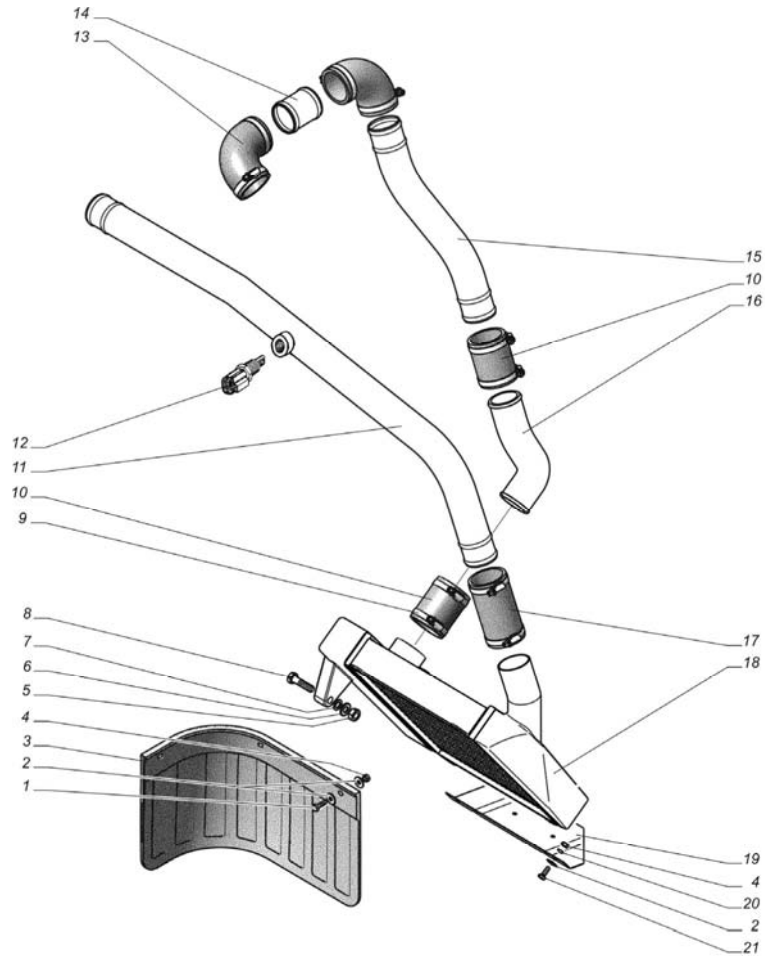


Fig. 10 Charging air cooler with branch pipes, rear mudguard apron

Pos.	Designation	Description	Quantity, pcs.			Remarks
			560	5601	5602	
1	201420-II29	Bolt M6-6gx20 OCT 37.001.123-96		3	3	
2	252037-II29	Washer 6 OCT 37.001.144-96		8	8	
3	3302-8511188-10	Rear mudguard apron		1	1	
4	250508-II29	Nut M6-6H OCT 37.001.124-93		5	5	
5	250512-II29	Nut M10-6H OCT 37.001.124-93		3	3	
6	252006-II29	Washer 10 OCT 37.001.144-96		3	3	
7	252136-II2	Washer 10.OT OCT 37.001.115-75		3	3	
8	200315-II29	Bolt M10-6gx40 OCT 37.001.122-96		3	3	
9	00.10.00-05	Clamp 50-62 TO17-9-20-98		10	10	Instead of TBOC-049.001-06, TORRO40-60/9-C7W1
9	TBOC-049.001-06	Clamp 50-70 TY 4599-003-03966022-00		10	10	Instead of 00.10.00-05, TORRO40-60/9-C7W1
9	TORRO40-60/9-C7W1	Clamp		10	10	Instead of 00.10.00-05, TBOC-049.001-06
10	3302-1172411	Connecting hose		2	2	
11	2217-1172071-10	Outlet pipe		1	1	
11	2217-1172071	Outlet pipe		1	1	Together with 2217-1172012
12	2174425/2	Charging air temperature sensor		1	1	Instead of ИЦФР.405213.001, 14.3832000
12	ИЦФР.405213.001	Temperature sensor ИЦФР.405213.001TY		1	1	Instead of 2174425/2, 14.3832000
12	14.3832000	Temperature sensor 14.3832 TY 37.459.290-01		1	1	Instead of ИЦФР.405213.001, 2174425/2
13	3310-1172117	Angle hose		2	2	
14	3310-1172079	Branch pipe		1	1	
15	2217-1172511	Pressure pipe		1	1	
16	2217-1172070	Pressure branch pipe		1	1	
17	5601.1118411	Connecting hose		1	1	
18	A048.00.000	Charge air cooler		1	1	
18	A051.00.000	Charge air cooler		1	1	4WD
19	330243-1172082-10	Cooler housing		1	1	Together with A048.00.000
20	252154-II2	Washer 6JI OCT 37.001.115-75		2	2	Together with A048.00.000
21	201418-II29	Bolt M6-6gx16 OCT 37.001.123-96		2	2	Together with A048.00.000

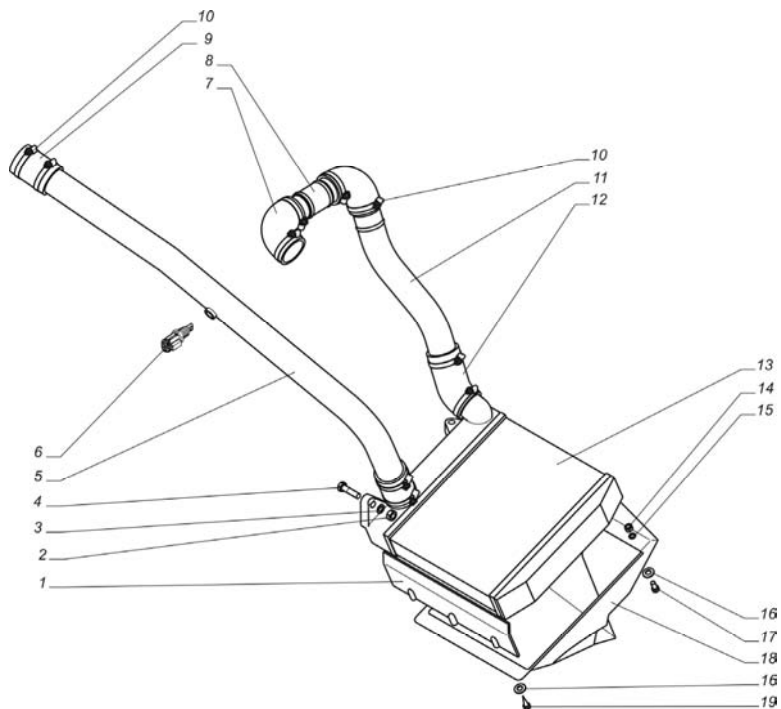


Fig. 11 Charging air cooler with branch pipes

Pos.	Designation	Description	Quantity, pcs.			Remarks
			560	5601	5602	
1	2217-1172160	Guard shield		1		
2	250512-П29	Nut M10-6H OCT 37.001.124-93		3		
3	252136-П2	Washer 10.OT OCT 37.001.115-75		3		
4	200315-П29	Bolt M10-6gx40 OCT 37.001.122-96		3		
5	2217-1172071	Outlet pipe		1		
6	2174425/2	Charging air temperature sensor		1		Instead of ИЦФР. 405213.001, 14.3832000
6	ИЦФР.405213.001	Temperature sensor ИЦФР.405213.001TY		1		Instead of 2174425/2, 14.3832000
6	14.3832000	Temperature sensor 14.3832 TY 37.459.290-01		1		Instead of ИЦФР. 405213.001, 2174425/2
7	3310-1172117	Angle hose		2		
8	3310-1172079	Branch pipe		1		
9	3302-1172411	Connecting hose		2		
10	00.10.00-05	Clamp 50-62 TO17-9-20-98		10		Instead of TBOC-049.001-06, TORRO40-60/9-C7W1
10	TBOC-049.001-06	Clamp 50-70 TY 4599-003-03966022-00		10		Instead of 00.10.00-05, TORRO40-60/9-C7W1
10	TORRO40-60/9-C7W1	Clamp		10		Instead of 00.10.00-05, TBOC-049.001-06
11	2217-1172511	Pressure pipe		1		
12	2217-1172111	Angle hose		1		
13	2217-1172012	Charge air cooler		1		
14	250610-П29	Nut M8-6H OCT 37.001.124-93		2		
15	252155-П2	Washer 8Л OCT 37.001.115-75		2		
16	252038-П29	Washer 8 OCT 37.001.144-96		5		
17	201454-П29	Bolt M8-6gx16 OCT 37.001.123-96		2		
18	2217-1172082	Cooler housing		1		
19	3302-6840066	Self-tapping screw for metal and plastics		3		

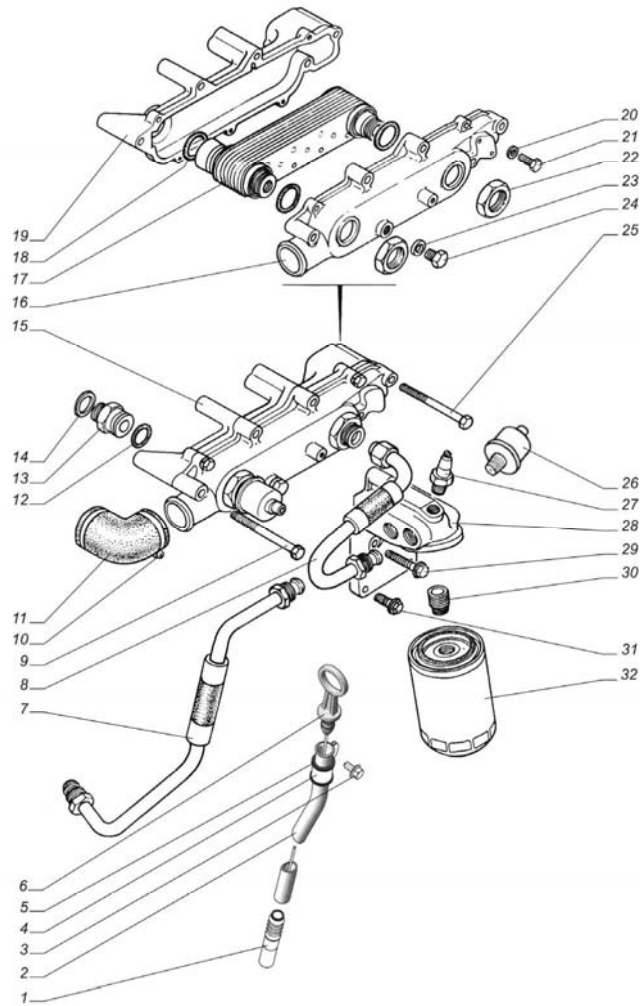


Fig. 12 Oil filter, oil radiator, pressure sensors and engine oil limit pressure sensors

Pos.	Designation	Description	Quantity, pcs.			Remarks
			560	5601	5602	
		Oil level indicator pipe connector (2203570/0)	1	1	1	
1	560.1009057					
2	560.1009046	Oil level indicator pipe (2203571/0)	1	1	1	
3	290711-71	Bolt M6x12-8.8-016 CTII 37.102.1195-97	1	1	1	
4	297507-II29	Buckle	1	1	1	
5	66-3724250	Sealing gasket	1	1	1	
6	560.1009050	Oil level indicator	1	1	1	
7	2203496/1	Inlet hose	1	1	1	
8	2203566/1	Outlet hose	1	1	1	
9	560.1013250	Bolt M8x120	2	2		
	TORRO40-60/9-C7W1	Clamp	2	2		
10	00.10.00-04	Clamp 40-56 TO17-9-20-98			2	
11	560.1013190	Inlet hose (2173812/0)	1	1	1	
12	562.1011086	O-ring (2177742/1)	1	1	1	
13	560.1013195	Connector (2178068/0)	1	1	1	
14	560.1013357	Washer (3098026/0)	1	1	1	
15	560.1013010	Oil radiator (2203264/1)	1	1		
15	5602.1013010	Oil radiator			1	
16	560.1013033	Radiator tank (2203262/1)	1	1	1	
17	2178632/1	Radiator inlet	1	1		Instead of 560.1013015-01
17	560.1013015-01	Radiator inlet	1	1		Instead of 2178632/1
17	5602.1013015	Radiator inlet			1	
18	560.1013158	O-ring (2177741/0)	3	3	3	
19	560.1013036	Radiator base (2203260/2)	1	1	1	
		Washer 6,4 CTII 37.102.1195-97 (3932008/0)	7	7	7	
20	293155-61	Bolt M6x25-8.8-016 CTII 37.102.1195-97 (3862327/0)	7	7	7	
21	290016-71	Nut M30x1,5	2	2	2	
22	292977-II29	Gasket	1	1	1	
23	31052-3761027	Plug	1	1	1	
24	560.1013199	Bolt M8x110	3	3	3	
25	560.1013249	Oil pressure sensor 3902.3829 TY 37.003.387-78	1	1	1	
26	3902.3829010					
27	B10.3829.000	Oil limit pressure sensor B10.3829. B10.3829.000TY	1	1		Instead of 2602.3829010
27	2602.3829010	Oil limit pressure sensor 2602.3829 TY 37.453.092-93	1	1	1	Instead of B10.3829.000
28	560.1017020-20	Oil filter body	1	1		
28	5602.1017020	Oil filter body			1	
29	290729-71	Bolt M8x50 CTII 37.102.1195-97	3	3	3	
30	560.1017150-10	Filter fastening connector	1	1	1	
31	290726-71	Bolt M8x35 CTII 37.102.1195-97	2	2	2	
32	2178582/0	Oil filter	1	1	1	Instead of 2178582/1, 560.1017005-02, 560.1017005-03
32	2178582/1	Oil filter	1	1	1	Instead of 2178582/0, 560.1017005-02, 560.1017005-03

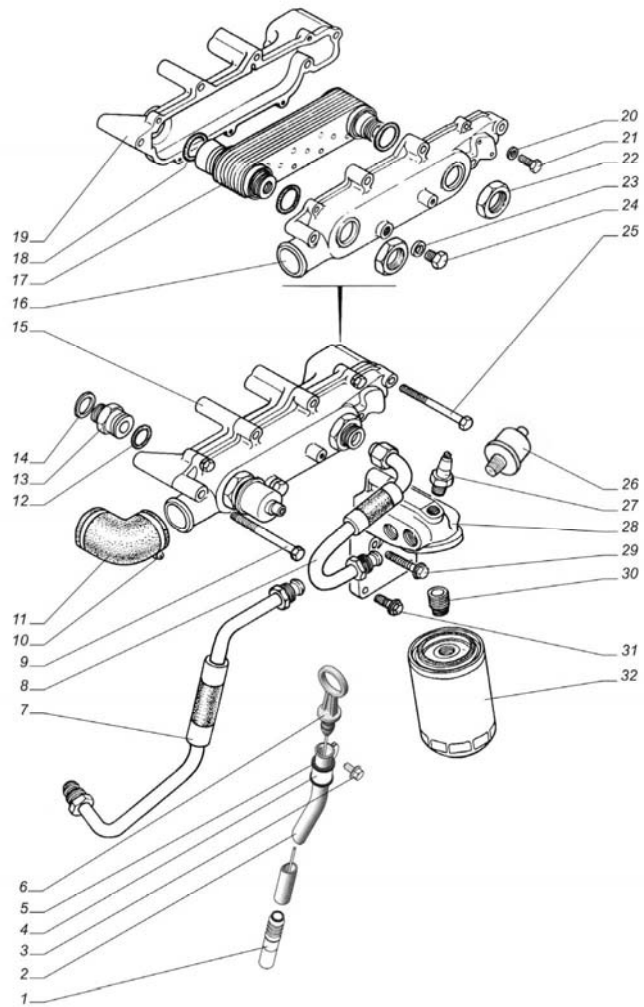


Fig. 12 Oil filter, oil radiator, pressure sensors and engine oil limit pressure sensors

Pos.	Designation	Description	Quantity, pcs.			Remarks
			560	5601	5602	
32	560.1017005-02	Oil filter	1	1	1	Instead of 2178582/0, 2178582/1, 560.1017005-03
32	560.1017005-03	Oil cleaning filter	1	1	1	Instead of 2178582/0, 2178582/1, 560.1017005-02

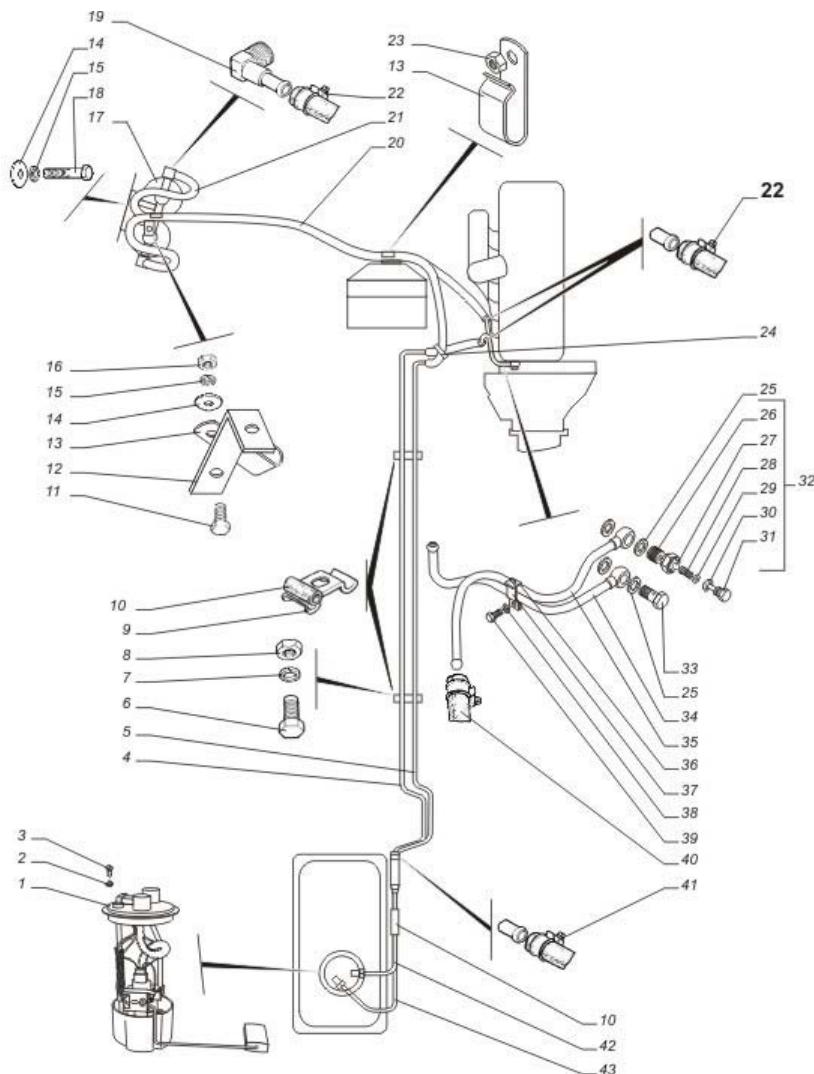


Fig. 13 Fuel submerged module, fuel pipelines

Pos.	Designation	Description	Quantity, pcs.			Remarks
			560	5601	5602	
		Electric submerged pump module TY 37.466.106-2001	1	1	1	
1	503.1139000	37.466.106-2001	1	1	1	
2	252153-II2	Washer 5JI OCT 37.001.115-75	8	8	8	
3	224596-II	Screw M5-6gx8 OCT 37.001.130-81	8	8	8	
4	330242-1104189	Fuel discharge pipe from engine	1	1	1	
5	330242-1104086	Fuel supply pipe to engine	1	1	1	
6	201497-II29	Bolt M10-6gx25 OCT 37.001.123-96	1	1	1	
7	252136-II2	Washer 10.OT OCT 37.001.115-75	1	1	1	
8	250512-II29	Nut M10-6H OCT 37.001.124-93	1	1	1	
9	330242-1104146	Buckle	2	2	2	
10	66-01-1104216	Pipeline fastening guard pipe	6	6	6	
11	201418-II29	Bolt M6-6gx16 OCT 37.001.123-96	2	2	2	
12	3308-1101290	Bracket	1	1	1	
13	330242-1117146	Hose holder	2	2	2	
14	252037-II29	Washer 6 OCT 37.001.144-96	5	5	5	
15	252154-II2	Washer 6JI OCT 37.001.115-75	5	5	5	
16	250608-II29	Nut M6-6H OCT 37.001.124-93	2	2	2	
17	560.1117010	Fuel fine filter	1	1	1	
18	200213-II29	Bolt M6-6gx35 OCT 37.001.122-96	3	3	3	
19	330242-1117165	Angle connector	2	2	2	
20	330242-1117136	Fuel hose	1	1	1	
21	330242-1104104	Hose	1	1	1	
22	TORRO12-22/9-C6W1	Clamp	4	4	4	
23	250512-II29	Nut M10-6H OCT 37.001.124-93	1	1	1	
24	41-3724527	Belt	1	1	1	
25	542.1104123	Gasket	4	4	4	
26	560.1104241	Valve body	1	1	1	
27	508605-II	Ball Б 6,35-60 ГОСТ 3722-81	1	1	1	
28	13-1712091	Second gear brake control valve spring	1	1	1	
29	560.1104243	Regulating washer	5	5	5	
30	4301-1015065	Gasket	1	1	1	
31	560.1104242-01	Valve plug	1	1	1	
32	560.1104240	Relief valve	1	1	1	
33	560.1104111	Connector-bolt	1	1	1	
34	560.1104098	Pipe of fuel supply to monoblock unit	1	1	1	
35	560.1104095	Pipe of fuel outlet from monoblock unit	1	1	1	
36	542.1112621	Buckle of pipes	1	1	1	
37	542.1112625	Clamp of pipes	1	1	1	
38	252134-II2	Washer 6T OCT 37.001.115-75	1	1	1	
39	201418-II29	Bolt M6-6gx16 OCT 37.001.123-96	1	1	1	
40	31104-1117132	Fuel hose	1	1	1	
41	00.10.00	Clamp 12-22 TO17-9-20-98	4	4	4	Instead of TBOC-049.001-02
41	TBOC-049.001-02	Clamp 12-22 TY 4599-003-03966022-00	4	4	4	Instead of 00.10.00
42	330242-1104258-10	Fuel discharge pipe with hose	1	1	1	GAZelle
	2752-1104258	Fuel discharge pipe with hose	1	1	1	Sobol
43	330242-1104256-10	Fuel supply pipe with hose	1	1	1	GAZelle
	2752-1104256	Fuel supply pipe with hose	1	1	1	Sobol

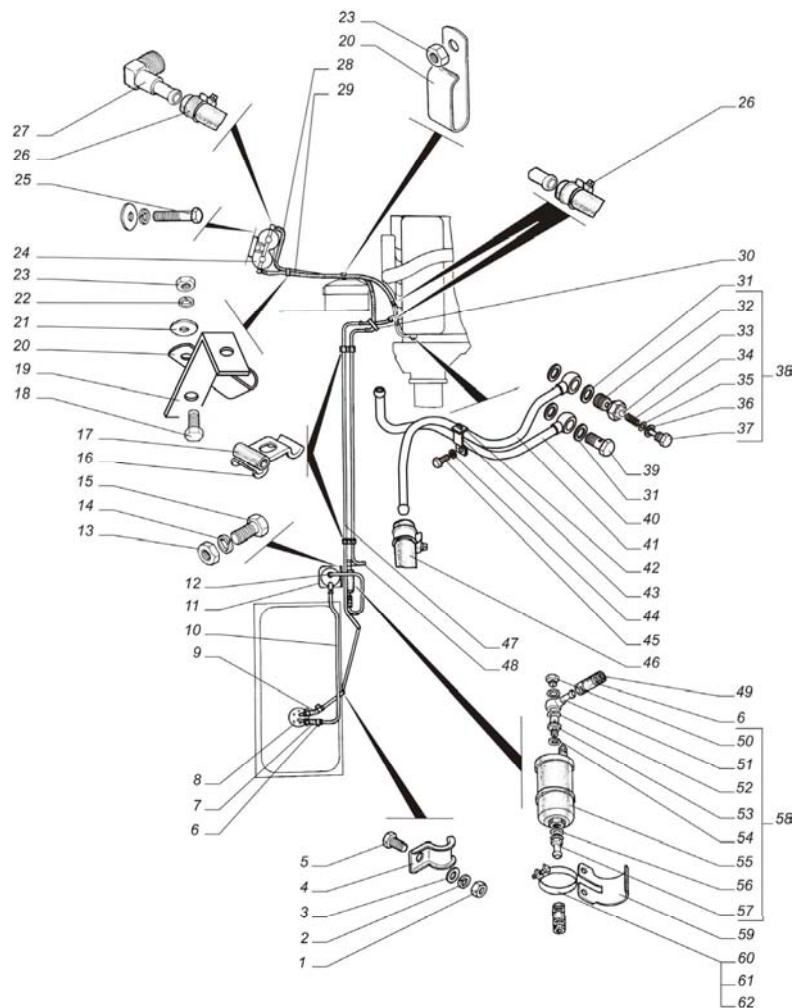


Fig. 14 Fuel pipelines, electric boost pump

Pos.	Designation	Description	Quantity, pcs.			Remarks
			560	5601	5602	
1	250508-II29	Nut M6-6H OCT 37.001.124-93	1	1	1	
2	252154-II2	Washer 6JI OCT 37.001.115-75	1	1	1	
3	252004-II29	Washer 6 OCT 37.001.144-96	1	1	1	
4	66-1104147	Buckle	1	1	1	
5	201417-II29	Bolt M6-6gx14 OCT 37.001.123-96	1	1	1	
6	TBOC-049.001-02	Clamp 12-22 TY 4599-003-03966022-00	9	9	9	
7	330242-1104102	Hose	1	1	1	
8	330242-1104012	Receiver flange with filter	1	1	1	
9	53-1015428-10	Oil-conducting hose	1	1	1	
10	330242-1104080	Pipe of fuel supply from tank to coarse filter	1	1	1	GAZelle Sobol
	2217-1104080-10	Pipe of fuel supply from tank to coarse filter	1	1	1	
11	330242-1105010	Fuel coarse filter	1	1	1	
12	330242-1104233	Pipe from coarse filter to fuel pump	1	1	1	
13	250512-II29	Nut M10-6H OCT 37.001.124-93	3	3	3	
14	252136-II2	Washer 10.OT OCT 37.001.115-75	2	2	2	
15	201497-II29	Bolt M10-6gx25 OCT 37.001.123-96	2	2	2	
16	330242-1104146	Buckle	2	2	2	
17	66-01-1104216	Pipeline fastening guard pipe	5	5	5	
18	201418-II29	Bolt M6-6gx16 OCT 37.001.123-96	2	2	2	
19	3308-1101290	Bracket	1	1	1	
20	330242-1117146	Hose holder	2	2	2	
21	252037-II29	Washer 6 OCT 37.001.144-96	5	5	5	
22	252154-II2	Washer 6JI OCT 37.001.115-75	5	5	5	
23	250608-II29	Nut M6-6H OCT 37.001.124-93	2	2	2	
24	560.1117010	Fuel fine filter	1	1	1	
25	200213-II29	Bolt M6-6gx35 OCT 37.001.122-96	3	3	3	
26	TORRO12-22/9-C6W1	Clamp	2	2	2	
27	330242-1117165	Angle connector	2	2	2	
28	330242-1104104	Hose	1	1	1	
29	330242-1117136	Fuel hose	1	1	1	
30	41-3724527	Belt	1	1	1	
31	542.1104123	Gasket	4	4	4	
32	560.1104241	Valve body	1	1	1	
33	508605-II	Ball Б 6,35-60 ГОСТ 3722-81	1	1	1	
34	13-1712091	Second gear brake control valve spring	1	1	1	
35	560.1104243	Regulating washer	5	5	5	
36	4301-1015065	Gasket	1	1	1	
37	560.1104242-01	Valve plug	1	1	1	
38	560.1104240	Relief valve	1	1	1	
39	560.1104111	Connector-bolt	1	1	1	
40	560.1104098	Pipe of fuel supply to monoblock unit	1	1	1	
41	560.1104095	Pipe of fuel outlet from monoblock unit	1	1	1	
42	542.1112621	Buckle of pipes	1	1	1	
43	542.1112625	Clamp of pipes	1	1	1	
44	252134-II2	Washer 6T OCT 37.001.115-75	1	1	1	
45	201418-II29	Bolt M6-6gx16 OCT 37.001.123-96	1	1	1	
46	31104-1117132	Fuel hose	1	1	1	

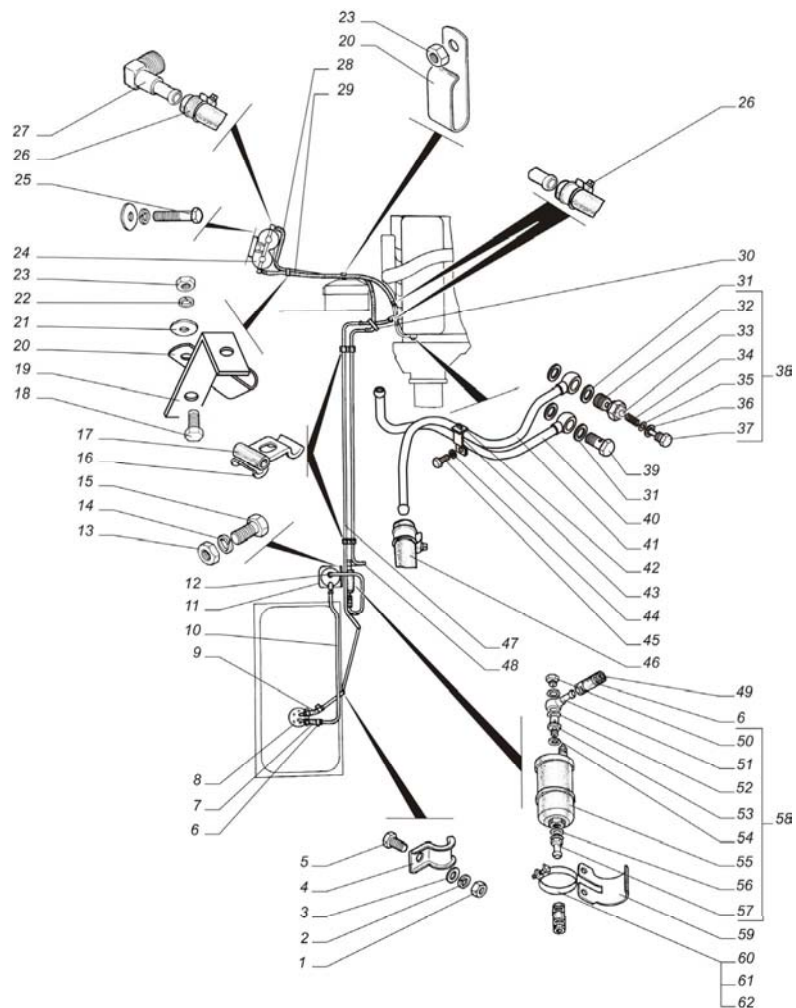


Fig. 14 Fuel pipelines, electric boost pump

Pos.	Designation	Description	Quantity, pcs.			Remarks
			560	5601	5602	
47	330242-1104152	Discharge pipe with shielding	1	1	1	
48	330242-1104085-10	Fuel supply pipe from fuel pump	1	1	1	GAZelle Sobol
	2217-1104085-20	Fuel supply pipe from fuel pump	1	1	1	
49	330242-1104105	Hose	2	2	2	
50	330242-1139191	Plug	1	1	1	
51	560.1104193	Rotary angle piece	1	1	1	
52	542.1104123	Gasket	2	2	2	
53	330242-1139199	Connector	1	1	1	
54	560.3548277	Gasket 10x14	1	1	1	
55	2173396/1	Electric fuel pump	1	1	1	Instead of 51.1139000
55	51.1139000	Electric fuel pump	1	1	1	Instead of 2173396/1
56	330242-1104123	Gasket	1	1	1	
57	330242-1139197	Connector	1	1	1	
58	330242-1139010	Electric fuel pump	1	1	1	
59	330242-1139013	Bracket	1	1	1	
60	288018-II29	Fuel pump fastening clamp	1	1	1	
61	220088-II29	Screw M5-6gx35 OCT 37.001.127-81	1	1	1	
62	251086-II29	Nut M5-6H OCT 37.001.112-91	1	1	1	

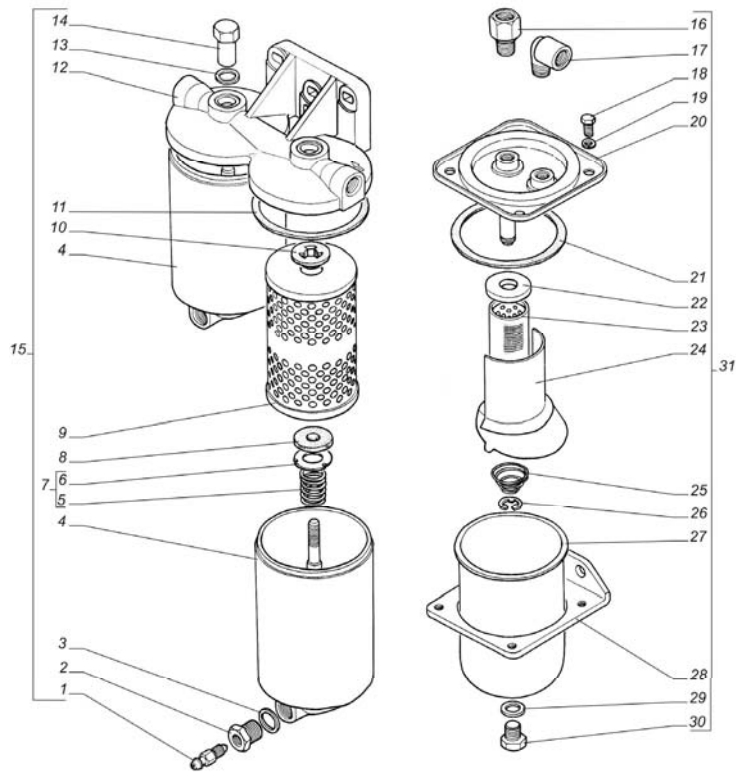


Fig. 15 Fuel fine filter, fuel coarse filter

Pos.	Designation	Description	Quantity, pcs.			Remarks
			560	5601	5602	
1	53-3501048	Wheel cylinder bleeding valve	2	2	2	
2	542.1117188	Air relief valve ferrule	2	2	2	
3	542.1133031	Sealing gasket	2	2	2	
4	542.1117180	Fuel fine filter cap	2	2	2	
5	542.1117035	Filter spring	2	2	2	
6	542.1117125	Reinforcing ring	2	2	2	
7	542.1117034	Filter spring	2	2	2	
8	740.1117114	Lower gasket	2	2	2	
9	560.1117040	Filter element	2	2	2	
9	560.1117040-01	Filter element	2	2	2	
10	740.1117116	Upper gasket	2	2	2	
11	542.1117186	Cap gasket	2	2	2	
12	560.1117018	Fuel fine filter body	1	1	1	
13	542.1104123	Gasket	2	2	2	
14	542.1117122	Filter bolt	2	2	2	
15	560.1117010	Fuel fine filter	1	1	1	
16	298341-Π29	Connector	1	1	1	
17	298349-Π29	Angle connector	1	1	1	
18	201416-Π29	Bolt M6-6gx12 OCT 37.001.123-96	4	4	4	
19	252134-Π2	Washer 6T OCT 37.001.115-75	4	4	4	
20	3307-1105014	Sediment bowl cover with rod and connector	1	1	1	
21	3307-1105075	Gasoline sediment bowl cover gasket	1	1	1	
22	330242-1105028-10	Filter element cap	1	1	1	
23	330242-1105020	Filter element	1	1	1	
24	330242-1105050	Fuel damper with reflector	1	1	1	
25	53-3551022	Explosion vent spring	1	1	1	
26	293596	Washer 9 FOCT 11648-75	1	1	1	
27	330242-1105060	Body with flange	1	1	1	
28	3307-1105080	Bracket	1	1	1	
29	31029-1139133-50	Gasket	1	1	1	
30	290872-Π29	Plug M12x12	1	1	1	
31	330242-1105010	Fuel coarse filter	1	1	1	

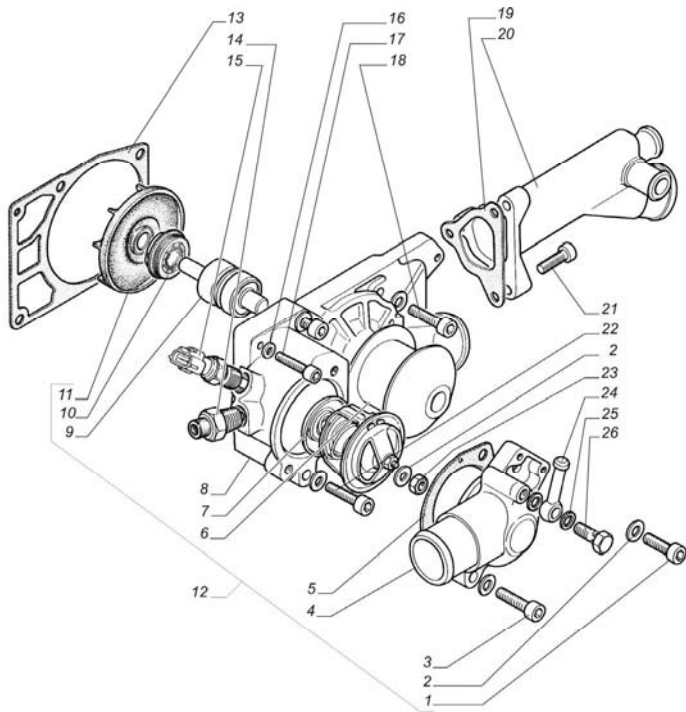


Fig. 16 Water pump with thermostat, cooling liquid temperature sensors

Pos.	Designation	Description	Quantity, pcs.			Remarks
			560	5601	5602	
1	290026-71	Bolt M8x20-8.8-016 CTII 37.102.1195-97	1	1	1	
2	4301-1601300	Spring conic washer	7	7	7	
3	290028-71	Bolt M8x30-8.8-016 CTII 37.102.1195-97	1	1	1	
4	560.1306032	Thermostat cover (2178872/0)	1	1	1	
5	560.1306034	Thermostat gasket (2203523/1)	1	1	1	
6	560.1307054	Oil pump drive pulley	1	1	1	
7	TC107-1306100-08	Thermostat with solid ingredient	1	1	1	
8	560.1307015	Water pump body	1	1	1	
9	2172739/0	Water pump bearing	1	1	1	Instead of 6-5HP 15088ПЕЛ19
9	6-5HP15088ПЕЛ19	Water pump bearing	1	1	1	Instead of 2172739/0
10	2177653/1	Water pump seal	1	1	1	
11	560.1307030	Water pump impeller	1	1	1	
12	560.1307008	Water pump with thermostat (2178020/3)	1	1	1	
13	560.1307048	Water pump gasket	1	1	1	
14	TM106-3808000-10	Water temperature indicator sensor TM106-10 TY37.003.160-76	1	1	1	
15	2174623/3	Cooling liquid temperature sensor	1	1	1	Instead of ИЦФР. 405213.002, 29.3828000
15	ИЦФР.405213.002	Temperature sensor ИЦФР.405213.002TY	1	1	1	Instead of 2174623/3, 29.3828000
15	29.3828000	Temperature sensor	1	1	1	Instead of 2174623/3, ИЦФР.405213.002
16	293155-61	Washer 6,4 CTII 37.102.1195-97 (3932008/0)	4	4	4	
17	290017-71	Bolt M6x30-8.8-016 CTII 37.102.1195-97	1	1	1	
18	290028-71	Bolt M8x30-8.8-016 CTII 37.102.1195-97	3	3	3	
19	560.1307106	Intake pipe gasket	1	1	1	
20	560.1307105	Intake pipe	1	1	1	
21	290016-71	Bolt M6x25-8.8-016 CTII 37.102.1195-97 (3862327/0)	3	3	3	
22	290037-71	Bolt M8x80-8.8-016 CTII 37.102.1195-97	1	1	1	
23	292105-51	Nut M8-8-016 CTII 37.102.1195-97	1	1	1	
24	560.1306028	Rotary angle piece with connector	1	1	1	
25	560.3548277	Gasket 10x14	2	2	2	
26	560.3548276	Connector-bolt 10	1	1	1	

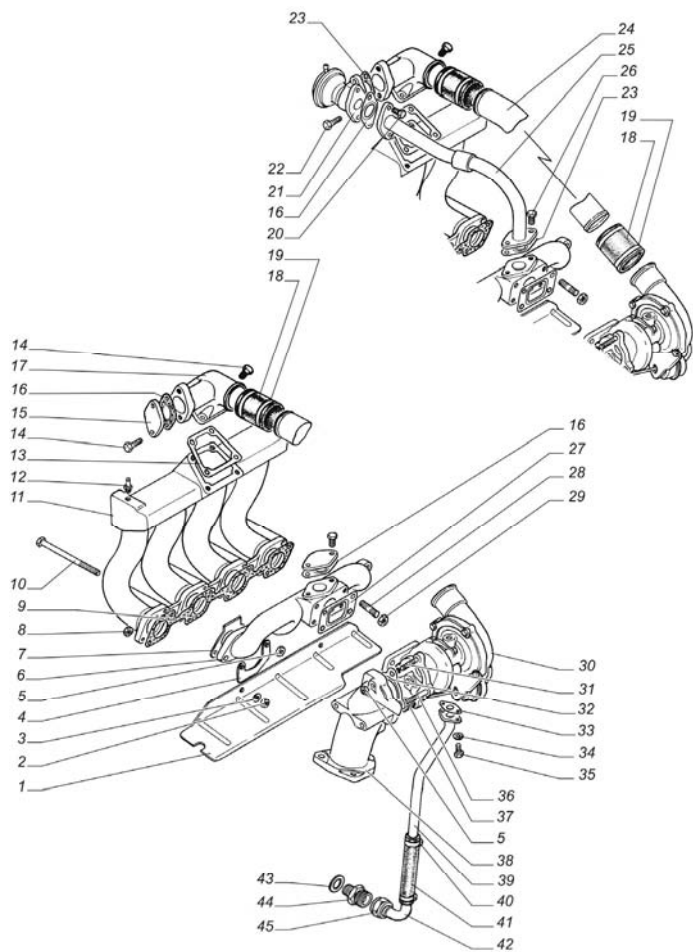


Fig. 17 Intake pipe and exhaust manifold, turbocharger, exhaust gas recirculation system

Pos.	Designation	Description	Quantity, pcs.			Remarks
			560	5601	5602	
1	560.1008190	Housing	1	1	1	
2	250508-II29	Nut M6-6H OCT 37.001.124-93	2	2	2	
3	252004-II29	Washer 6 OCT 37.001.144-96	2	2	2	
4	560.1008059	Plate	4	4	4	
5	562.1118611	Self-locking nut M8	13	13	13	
6	560.1008025	Exhaust manifold	1	1	1	
7	560.1008027	Manifold gasket	4	4	4	
8	4599551-819	Nut M8 GOST P 50592-93	4	4	4	
9	560.1008080	Intake pipe gasket	1	1	1	
10	560.1008119	Bolt M8x140	4	4	4	
11	560.1008015	Intake pipe	1	1	1	
12	560.1118386-01	Connector	1	1	1	
13	560.1118414	Branch pipe gasket	1	1	1	
14	290724-71	Bolt M8x25 CTII 37.102.1195-97	4	6	6	
15	560.1118523	Plug		2	2	
16	560.1118521	Gasket	2	2	2	
17	560.1118512	Pressure branch pipe	1	1	1	
18	560.1118411	Connecting hose	2			
18	3302-1172411	Connecting hose		1	1	
19	00.10.00-05	Clamp 50-62 TO17-9-20-98	4	2	2	Instead of TBOC-049.001-06, TORRO40-60/9-C7W1
19	TBOC-049.001-06	Clamp 50-70 TY 4599-003-03966022-00	4	2	2	Instead of 00.10.00-05, TORRO40-60/9-C7W1
19	TORRO40-60/9-C7W1	Clamp	4	2	2	Instead of 00.10.00-05, TBOC-049.001-06
20	201457-II29	Bolt M8-6gx22 OCT 37.001.123-96	2			
21	2203626/0	Recirculating valve 7.21675.08	1			Instead of PKHY.1213008, 460.1213010
21	PKHY.1213008	Recirculating valve	1			Instead of 2203626/0, 460.1213010
21	460.1213010	Recirculating valve	1			Instead of 2203626/0, PKHY.1213008
22	290028-71	Bolt M8x30-8.8-016 CTII 37.102.1195-97	2			
23	560.1118521-10	Gasket	1			
24	560.1118510	Pressure pipe	1			
25	000.4859.45.000	Pressure pipe	1			Instead of 2203610/1
25	2203610/1	Pressure pipe	1			Instead of 000.4859.45.000 to be used with 560.1118521
26	560.1213023	Bolt M8x16	2	2	2	
27	560.1118410	Turbocharger gasket	1	1	1	
28	560.1118605	Stud M10x22	4	4	4	
29	560.1118611	Nut M10	4	4	4	

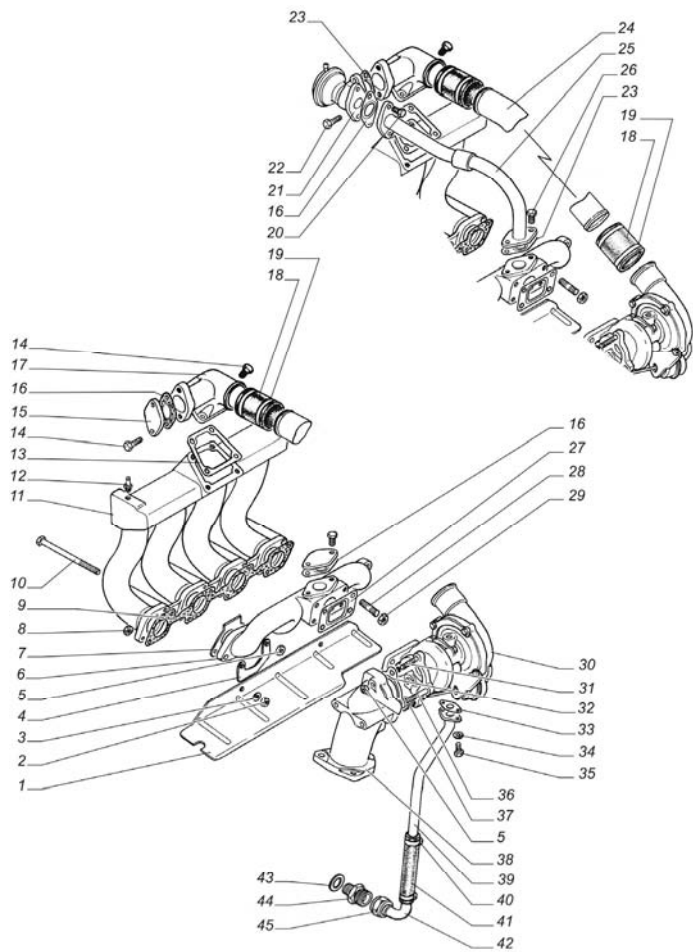


Fig. 17 Intake pipe and exhaust manifold, turbocharger, exhaust gas recirculation system

Pos.	Designation	Description	Quantity, pcs.			Remarks
			560	5601	5602	
30	2203505/0	Turbocharger KO4-2072 GAA4.82	1	1	1	Instead of C12-91
30	C12-91	Turbocharger C12	1	1	1	Instead of 2203505/0
31	560.1118603	Stud M8x40	1	1	1	
32	560.1008109	Discharge branch pipe gasket	1	1	1	
33	560.1118358	Gasket of discharge	1	1	1	
34	252134-II2	Washer 6T OCT 37.001.115-75	2	2	2	
35	290532-71	Bolt M6x20-8.8-016 CTII 37.102.1195-97	2	2	2	
36	560.1118617	Stud M8 1,25xCII/1,25-6g x102	2	2	2	
37	560.1008301	Stud M8x30	2	2	2	
38	560.1008108	Discharge branch pipe	1	1	1	
39	560.1118340-10	Pipe of discharge with flange	1	1	1	
40	00.10.00-01	Clamp 16-27 TO17-9-20-98	2	2	2	Instead of TORRO16-27/9-C6W1
40	TORRO16-27/9-C6W1	Clamp	2	2	2	Instead of 00.10.00-01
41	560.1118373-10	Hose	1	1	1	
42	4301-8120050	Connecting pipe with nipple	1	1	1	
43	560.1118361	Gasket	1	1	1	
44	560.1118350	Connector of discharge	1	1	1	
45	3306-8120052	Captive nut	1	1	1	

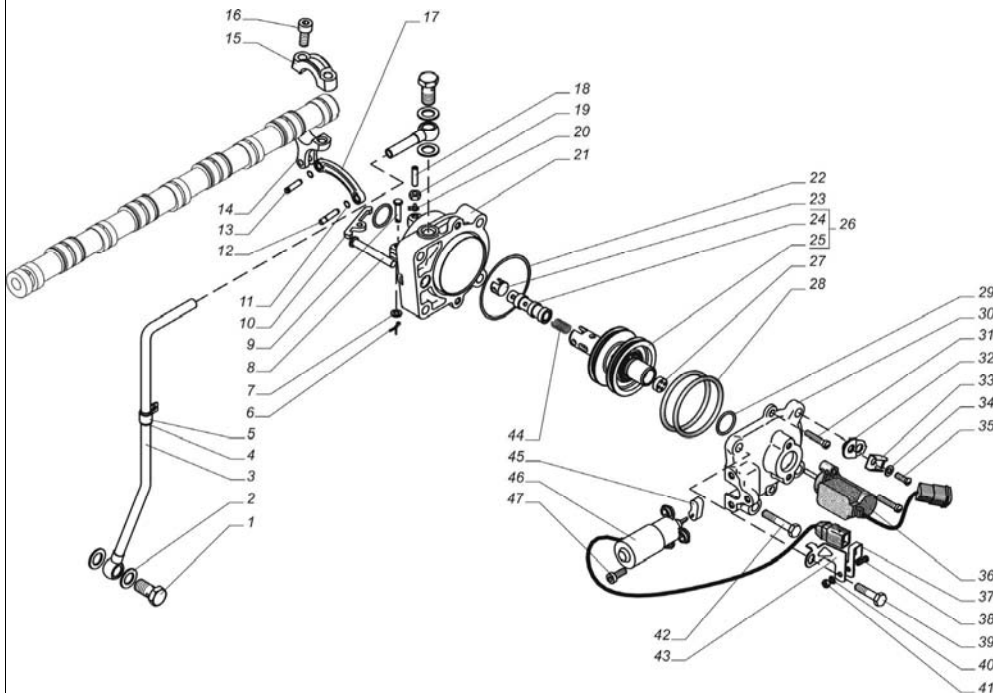


Fig. 18 Fuel injection lead angle changing system

Pos.	Designation	Description	Quantity, pcs.			Remarks
			560	5601	5602	
1	560.1118381	Connector-bolt 12			2	
2	560.1118355	Gasket			4	
3	5602.1029300	Oil-duct			1	
4	560.1118335	Oil-duct bushing			1	
5	5602.1029305	Buckle			1	
6	258012-II29	Split-pin 2x12 OCT 37.001.171-93			1	
7	252003-II29	Washer 5 OCT 37.001.144-96			3	
8	5602.1029336	Pusher			1	
9	260005-II29	Pin 5x22 OCT 37.001.163-97			1	
10	5602.1029302	Lever			1	
11	5602.1029222	Safety ring			2	
12	5602.1029218	Pin			1	
13	5602.1029216	Pin			1	
14	5602.1029212	Fork			1	
15	5602.1029214	Cover			1	
16	4599512-969	Screw M8x22			2	
17	5602.1029215	Rod			1	
18	5602.1029266	Setting screw			1	
19	250508-II29	Nut M6-6H OCT 37.001.124-93			1	
20	293216	Washer 6 GOCT 13465-77			1	
21	5602.1029262	Body			1	
22	5602.1029288	Ring 063-068-30-2-2 GOST 9833-73			1	
23	5602.1029284	Retainer			1	
24	5602.1029260	Plunger			1	
25	5602.1029256	Sleeve			1	
26	5602.1029254	Spool-and-sleeve			1	
27	5602.1029261	Plug			1	
28	5602.1029292	Ring 052-060-46-2-2 GOST 9833-73			2	
29	5602.1029290	Ring 020-025-30-2-2 GOST 9833-73			2	
30	5602.1029270	Cover			1	
31	222503-II29	Screw M5-6gx22 OCT 37.001.128-96			4	
32	5602.3761201	Bracket			1	
33	562.3761217	Holder			1	
34	4599526-092	Washer 6			1	
35	220103-II29	Screw M6-6gx12 OCT 37.001.127-81			1	
36	2176628/2	Rod position sensor			1	
37	5602.1029312	Buckle			1	
38	220051-II29	Screw M4-6gx10 OCT 37.001.127-81			1	
39	290729-71	Bolt M8x50 CTII 37.102.1195-97			3	
40	252002-II29	Washer 4 OCT 37.001.144-96			1	
41	250462-II29	Nut M4-6H OCT 37.001.124-93			1	
42	290731-71	Bolt M8x60 CTII 37.102.1195-97			1	
43	5602.1029311	Bracket			1	
44	5602.1029303	Spring			1	
45	5602.1029333	Lever			1	
46	ДПР 28	Motorreducer			1	
47	290363-71	Bolt M6x16 CTII 37.102.1195-97			3	

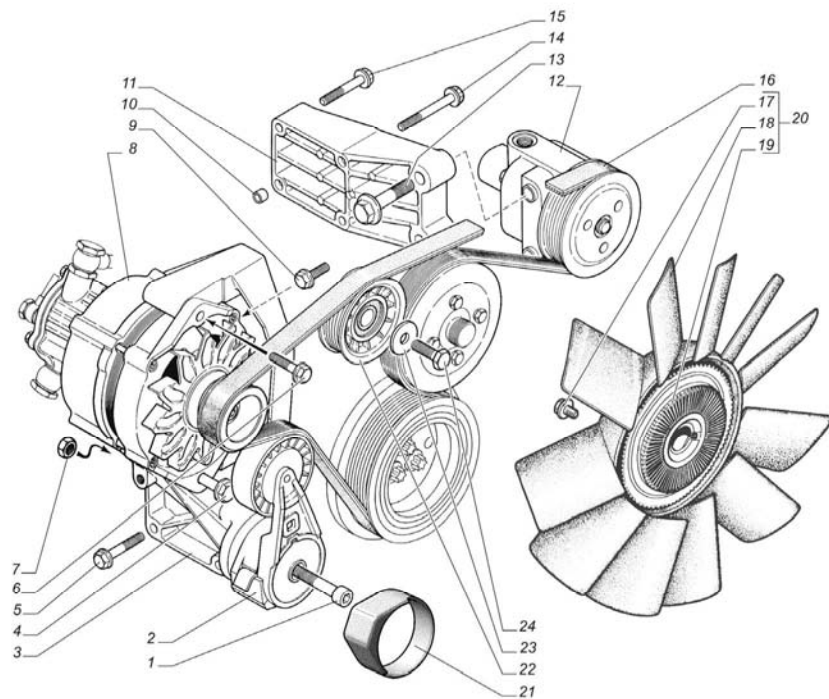


Fig. 19 Alternator with vacuum pump, power steering pump, mounted units drive

Pos.	Designation	Description	Quantity, pcs.			Remarks
			560	5601	5602	
1	290061-71	Bolt M10x60-8.8-016 CTII 37.102.1195-97	1	1	1	
2	2203558/0	Belt tightening device	1	1	1	Instead of 560.1045010
2	560.1045010	Belt tightening device	1	1	1	Instead of 2203558/0
3	560.3701030	Alternator bracket	1	1	1	
4	560.3701050	Bolt M10x130	1	1	1	
5	290728-71	Bolt M8x45 CTII 37.102.1195-97	5	5	5	
6	290729-71	Bolt M8x50 CTII 37.102.1195-97	1	1	1	
7	4595561-057	Nut M10-6H OCT 37.001.124-93	1	1	1	
8	2203479/1	Alternator Bosch	1	1	1	Instead of AAK3110
8	AAK3110	Alternator Iskra	1	1	1	Instead of 2203479/1
9	290724-71	Bolt M8x25 CTII 37.102.1195-97	2	2	2	
10	560.1009067	Receiver bushing (2203543/0)	6	6	6	
11	560.3407208-01	Power steering pump bracket	1	1	1	
12	ИПЛИГ9/10-05	Steering booster pump with pulley	1	1	1	
12	ШНКФ453471.126-20	Steering booster pump	1	1	1	Instead of ИПЛИГ9/10-05
13	290795-71	Bolt M12x50-8.8-016 CTII 37.102.1195-97	2	2	2	
14	290732-71	Bolt M8x65-8.8-016 CTII 37.102.1195-97	2	2	2	
15	290729-71	Bolt M8x50 CTII 37.102.1195-97	2	2	2	
16	2203557/0	Belt	1	1	1	With power steering pump, instead of 6K1630, 6K1635, 6PK1630Lb
16	6K1630	Poly-V-belt	1	1	1	With power steering pump, instead of 2203557/0, 6K1635, 6PK1630Lb
16	6K1635	Poly-V-belt	1	1	1	With power steering pump, instead of 2203557/0, 6K1630, 6PK1630Lb
16	6PK1630Lb	Poly-V-belt	1	1	1	With power steering pump, instead of 2203557/0, 6K1630, 6PK1630Lb
16	2203557/2	Belt	1	1	1	Without power steering pump, instead of 6K1030
16	6K1030	Poly-V-belt	1	1	1	Without power steering pump, instead of 2203557/2
16	560.1308103	Bolt M8x12	4	4	4	

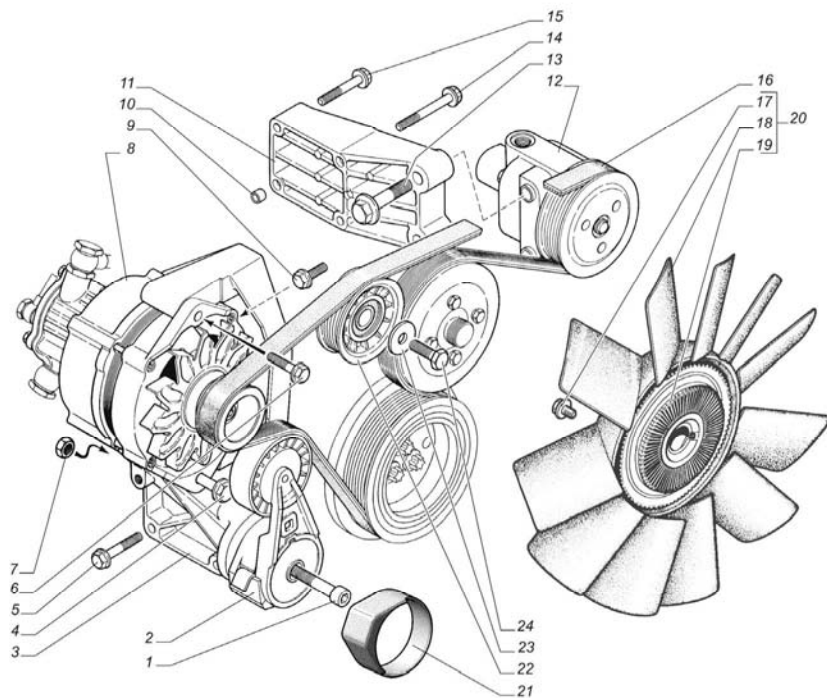


Fig. 19 Alternator with vacuum pump, power steering pump, mounted units drive

Pos.	Designation	Description	Quantity, pcs.			Remarks
			560	5601	5602	
18	560.1308011	Fan	1	1	1	With power steering pump
18	560.1308011-10	Fan	1	1	1	
19	2203607/N	Viscous collar	1	1	1	With power steering pump
19	2203515/N	Viscous collar	1	1	1	
20	560.1308010	Fan with collar	1	1	1	With power steering pump
20	560.1308010-10	Fan with collar	1	1	1	
21	562.1045011	Protective housing	1	1	1	With power steering pump, instead of 830803AK3
22	2203559/0	Roller	1	1	1	
22	830803AK3	Roller	1	1	1	With power steering pump, instead of 2203559/0
23	293179-11	Washer 10,5 CTII 37.102.1195-97	1	1	1	With power steering pump
24	290583-71	Bolt M10x30-8.8-016 CTII 37.102.1195-97	1	1	1	With power steering pump

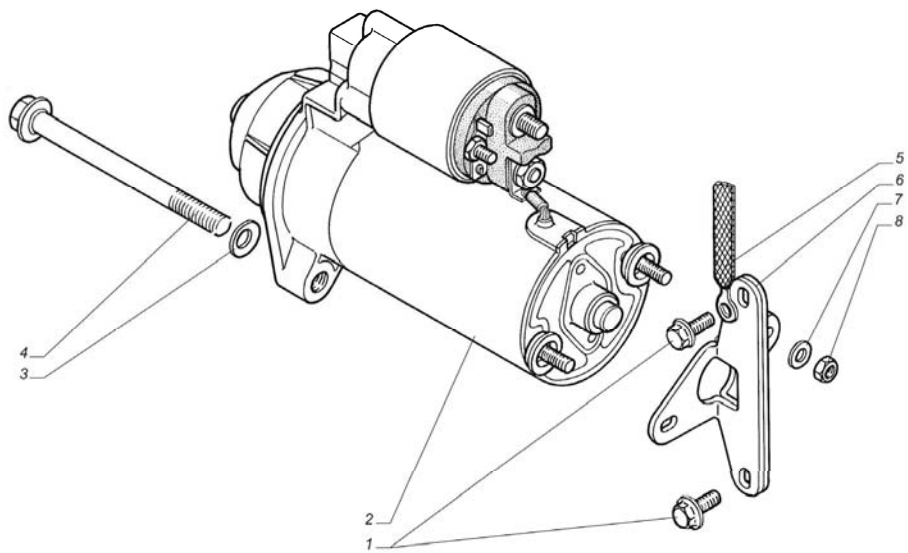


Fig. 20 Starter

Pos.	Designation	Description	Quantity, pcs.			Remarks
			560	5601	5602	
1	290712-71	Bolt M6x16 CTII 37.102.1195-97 (9000273/0)	2	2	2	Instead of AZE2573 Instead of 2040077/0
2	2040077/0	Starter Bosch	1	1	1	
2	AZE2573	Starter Iskra	1	1	1	
3	4301-1601301	Conic spring washer	2	2	2	
4	560.3701050	Bolt M10x130	2	2	2	
5	560.3724551	Cable	1	1	1	
6	560.3708080	Starter bracket	1	1	1	
7	252004-II29	Washer 6 OCT 37.001.144-96	2	2	2	
8	250508-II29	Nut M6-6H OCT 37.001.124-93	2	2	2	

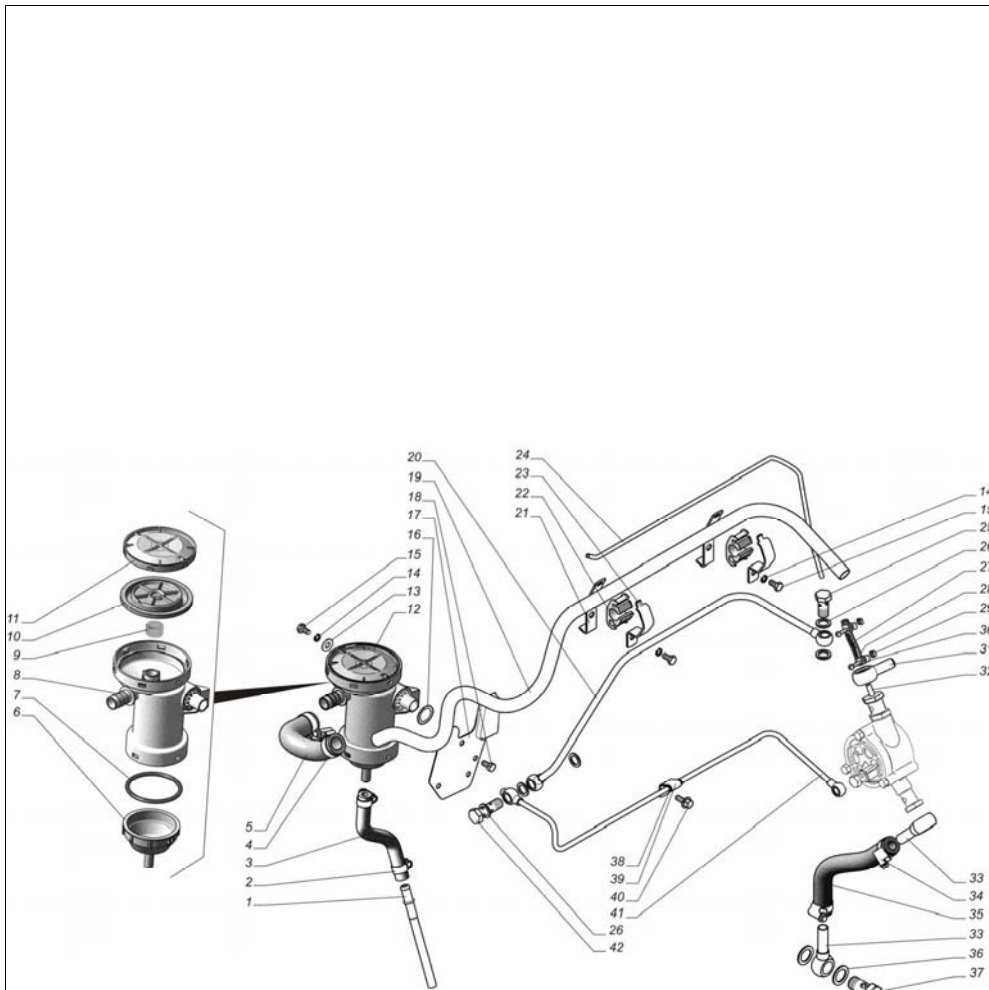
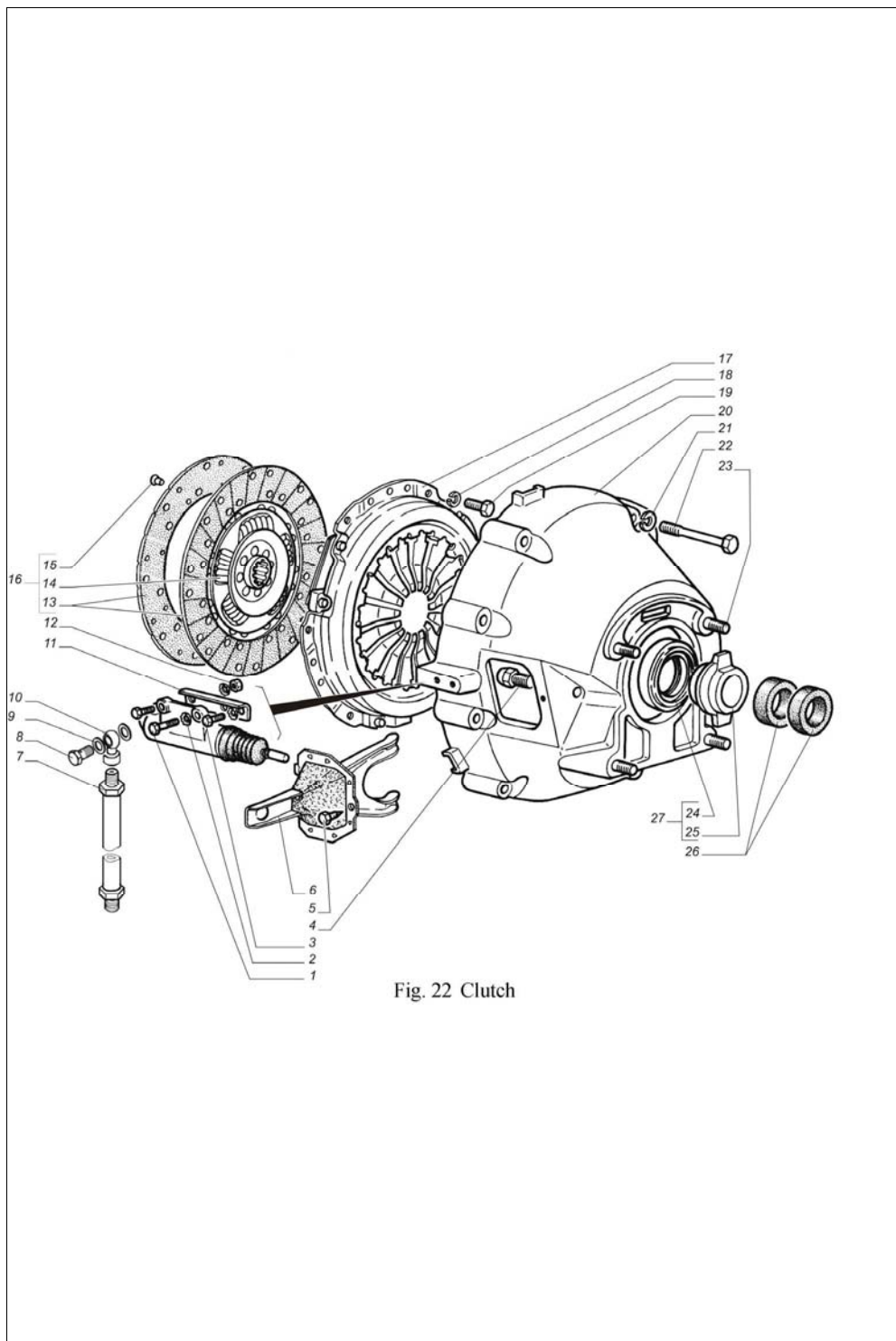


Fig. 21 Oil sump gas ventilation system, oil duct to turbocharger and vacuum pump

Pos.	Designation	Description	Quantity, pcs.			Remarks
			560	5601	5602	
1	560.1014043	Pipe (2203542/0)	1	1	1	
2	00.10.00	Clamp 12-22 TO17-9-20-98	2	2	2	
2	C6W1	Clamp	2	2	2	
3	560.1014075	Hose (2203577/0)	1	1	1	
4	00.10.00-01	Clamp 16-27 TO17-9-20-98	2	2	2	
4	C6W1	Clamp	2	2	2	
5	560.1014221	Connecting hose	1	1	1	
6	560.1014225	Lower cap	1	1	1	
7	560.1014213	O-ring	1	1	1	
8	560.1014129	Oil separator body	1	1	1	
9	560.1014101	Spring	1	1	1	
10	560.1014107	Diaphragm	1	1	1	
11	560.1014074	Oil separator cap	1	1	1	
12	560.1014009-01	Oil separator	1	1	1	Instead of 2177870/1
12	2177870/1	Oil separator A05-030	1	1	1	Instead of 560.1014009-01
13	293236-II29	Washer 7	1	1	1	
14	252154-II2	Washer 6JI OCT 37.001.115-75	3	3	3	
15	290532-71	Bolt M6x20-8.8-016 CTII 37.102.1195-97	3	3	3	
16	560.1014179	O-ring (2178310/1)	1	1	1	
17	560.1014159-10	Cap (2203555/1)	1	1	1	
17	560.1014159-20	Cap			1	
18	290711-71	Bolt M6x12-8.8-016 CTII 37.102.1195-97	4	4	4	
19	560.1014095	Case ventilation pipe	1	1	1	
19	5602.1014095	Case ventilation pipe			1	
20	560.1118330-10	Oil duct	1	1	1	
21	560.1014200	Buckle	2	2	2	
22	560.1014202	Insert	2	2	2	
23	560.1014201	Buckle	2	2	2	
24	560.1213044	Pipe	1			
25	560.1118381	Connector-bolt 12	1	1	1	
26	560.1118361	Gasket	5	5	5	
27	560.1213387	Hose	1			
28	220054-II29	Screw M4-6x16 OCT 37.001.127-81	2			
29	251082-II29	Nut M4-6H OCT 37.001.112-91	2			
30	24-10-1127070	Clamp	2			
31	330242-3552045	Rotary angle piece	1			
32	560.3548040	Connector	1			
33	562.3548116	Upper pipe	2	2	2	
34	00.10.00	Clamp 12-22 TO17-9-20-98	2	2	2	Instead of TBOC-049.001-02
34	TBOC-049.001-02	Clamp 12-22 TY 4599-003-03966022-00	2	2	2	Instead of 00.10.00
35	66-02-4225048	Flexible hose	1	1	1	
36	3105-3408102	O-ring	2	2	2	
37	3105-3408100	Connector-bolt	1	1	1	
38	63-3802058	Speedometer flexible shaft sealing pipe	1	1	1	
39	13-3802072	Flexible shaft fastening clamp	1	1	1	
40	290712-71	Bolt M6x16 CTII 37.102.1195-97 (9000273/0)	1	1	1	
41	560.3548110	Oil-duct	1	1	1	
42	560.1118383	Double connector-bolt	1	1	1	



Pos.	Designation	Description	Quantity, pcs.			Remarks
			560	5601	5602	
1	200263-II29	Bolt M8-6gx35 OCT 37.001.122-96	1	1	1	
2	252135-II2	Washer 8T OCT 37.001.115-75	3	3	3	
3	201458-II29	Bolt M8-6gx25 OCT 37.001.123-96	2	2	2	
4	3105-1601215	Clutch fork support	1	1	1	
5	E24406	Thread-extruding bolt with flange	1	1	1	
6	31104-1601200	Clutch fork with cover	1	1	1	
7	3302-1602590	Clutch flexible hose	1	1	1	
8	20-3501082	Connecting collar bolt	1	1	1	
9	51-3506013	Gasket	2	2	2	
10	66-3405015	Power steering cylinder connecting collar	1	1	1	
11	330242-1602042	Connecting plate	1	1	1	
12	250510-II29	Nut M8-6H OCT 37.001.124-93	1	1	1	
13	330242-1601138	Friction facing	2	2	2	Instead of 406.1601138
13	406.1601138	Friction facing	2	2	2	Instead of 330242-1601138
14	4061.1601150	Clutch dampfer spring	5	5	5	
15	293907-II	Rivet 4x6	32	32	32	Instead of 4301-1601140
15	4301-1601140	Rivet	32	32	32	Instead of 293907-II
16	330242-1601130-01	Clutch driven plate	1	1		
16	324021511	Clutch driven plate			1	
17	31104-1601090	Pressure plate with cover	1	1	1	
18	252135-II2	Washer 8T OCT 37.001.115-75	6	6	6	
19	290656-II29	Bolt M8x30	6	6	6	
20	31104-1601015	Clutch housing	1	1	1	
21	252136-II2	Washer 10.OT OCT 37.001.115-75	6	6	6	
22	200325-II29	Bolt M10-6gx80 OCT 37.001.122-96	6	6	6	
23	406.1601293	Gear box stud	4	4	4	
24	B76-360710AYC30III	Bearing	1	1	1	Instead of B76-360710AYC9III, 24-1601072-10
24	B76-360710AYC9III	Bearing	1	1	1	Instead of B76-360710AYC30III, 24-1601072-10
24	24-1601072-10	Declutching bearing	1	1	1	Instead of B76-360710AYC30III, B76-360710AYC9III
25	24-1601185-20	Declutching muff	1	1	1	
26	24-1601256	Guard ring	2	2	2	
27	24-1601180-02	Declutching muff	1	1	1	

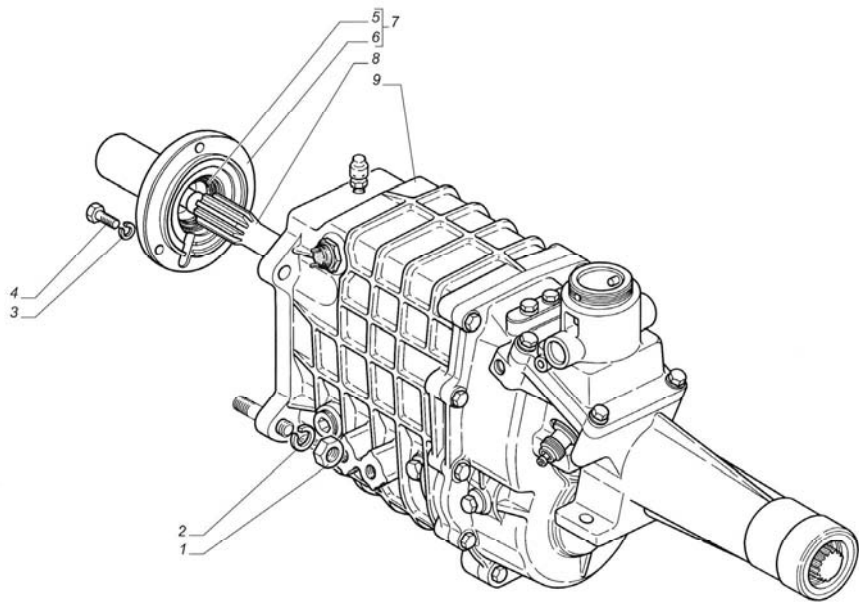


Fig. 23 Gear box

Pos.	Designation	Description	Quantity, pcs.			Remarks
			560	5601	5602	
1	250515-II29	Nut M12x1,25-6H OCT 37.001.124-93	4	4	4	
2	252157-II2	Washer 12JI OCT 37.001.115-75	4	4	4	
3	252135-II2	Washer 8T OCT 37.001.115-75	3	3	3	
4	201458-II29	Bolt M8-6gx25 OCT 37.001.123-96	3	3	3	
5	31029-1701043	Collar 1.2-35x48-2	1	1	1	
6	330242-1701040	Primary shaft bearing cap	1	1	1	
7	330242-1701039	Primary shaft bearing cap	1	1	1	
8	330242-1701025	Gear box primary shaft	1	1	1	
9	330242-1700010	Gear box	1	1	1	GAZelle
9	2217-1700010-10	Gear box	1	1	1	Sobol

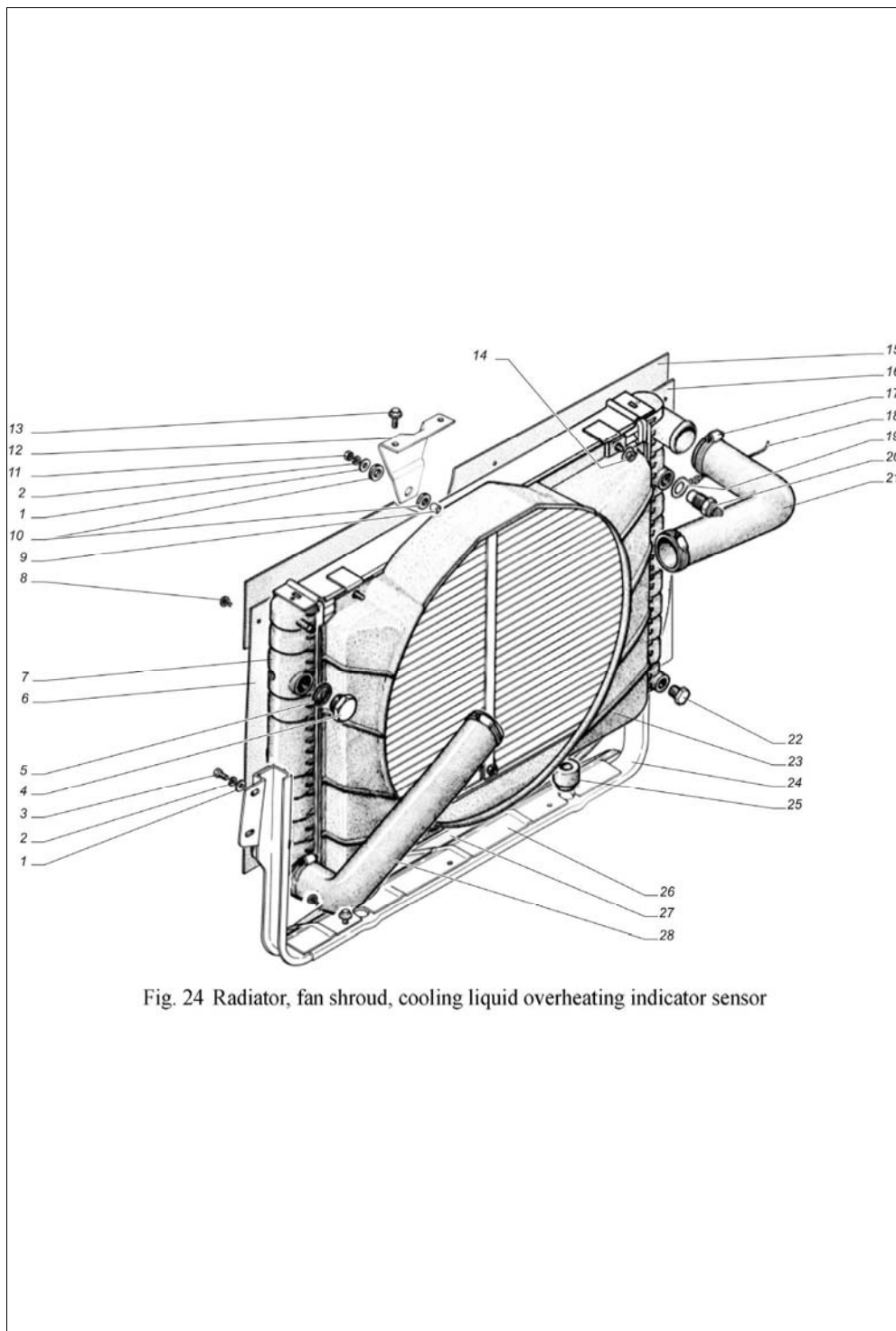


Fig. 24 Radiator, fan shroud, cooling liquid overheating indicator sensor

Pos.	Designation	Description	Quantity, pcs.			Remarks
			560	5601	5602	
1	252037-II29	Washer 6 OCT 37.001.144-96	5	5	5	
2	252134-II2	Washer 6T OCT 37.001.115-75	5	5	5	
3	201419-II29	Bolt M6-6gx18 OCT 37.001.123-96	4	4	4	
4	296507-II29	Plug M22x1,5x10	1	1	1	
5	297282-II	Gasket assy	1	1	1	To be used together with 330242.1301.000 or 1401.1301010
5	24-10-3502051	O-ring	1	1	1	To be used together with 330242-1301010 or 112.1301010
6	330242-1301291	Left sealant	1	1	1	
7	330242-1301010	Radiator	1	1	1	Instead of 330242.1301.000, 112.1301010, 1401.1301010
7	330242.1301.000	Radiator TY 235785888.72-98	1	1	1	Instead of 330242-1301010, 112.1301010, 1401.1301010
7	112.1301010	Radiator TY 37.360.005-2001	1	1	1	Instead of 330242-1301010, 330242.1301.000, 1401.1301010
7	1401.1301010	Radiator TY 4591-042-00232182-1997	1	1	1	Instead of 330242-1301010, 330242.1301.000, 112.1301010
8	353126	Eyelet with cap	7	7	7	
9	3302-1302084-10	Bushing	1	1	1	
10	20-3708070	Washer	2	2	2	
11	250508-II29	Nut M6-6H OCT 37.001.124-93	1	1	1	
12	2217-1302088	Bracket	1	1	1	
13	4593761-101	Bolt M6-6gx14 OCT 37.001.193-83	5	5	5	
14	4599531-818	Nut M6	6	6	6	
15	2217-1302056	Upper sealant	1	1	1	
16	330242-1301290-10	Radiator sealant	1	1	1	
17	00.10.00-04	Clamp 40-56 TO17-9-20-98	4	4	4	Instead of 00.78.00-02
17	00.78.00-02	Clamp 44-56 TY 4599-001-21511064-94	4	4	4	Instead of 00.10.00-04
18	330242-3724015	Harness №1	1	1	1	
19	3110-3828042	Washer	1	1	1	
20	TM111-3808000-02	Water temperature indicator sensor TM111-02 TY 37.003.569	1	1	1	
21	330242-1303010	Intake hose, upper	1	1	1	
22	4599311-302	Plug KГ 1/4" OCT 37.001.177-82	1	1	1	
23	330242-1309011	Fan shroud	1	1	1	
24	330242-1302010-10	Radiator frame	1	1	1	
25	3110-1301164	Pad	2	2	2	
26	2217-1302092	Angle piece	1	1	1	
27	2217-1302057	Lower sealant	1	1	1	
28	330242-1303025-10	Outlet hose	1	1	1	

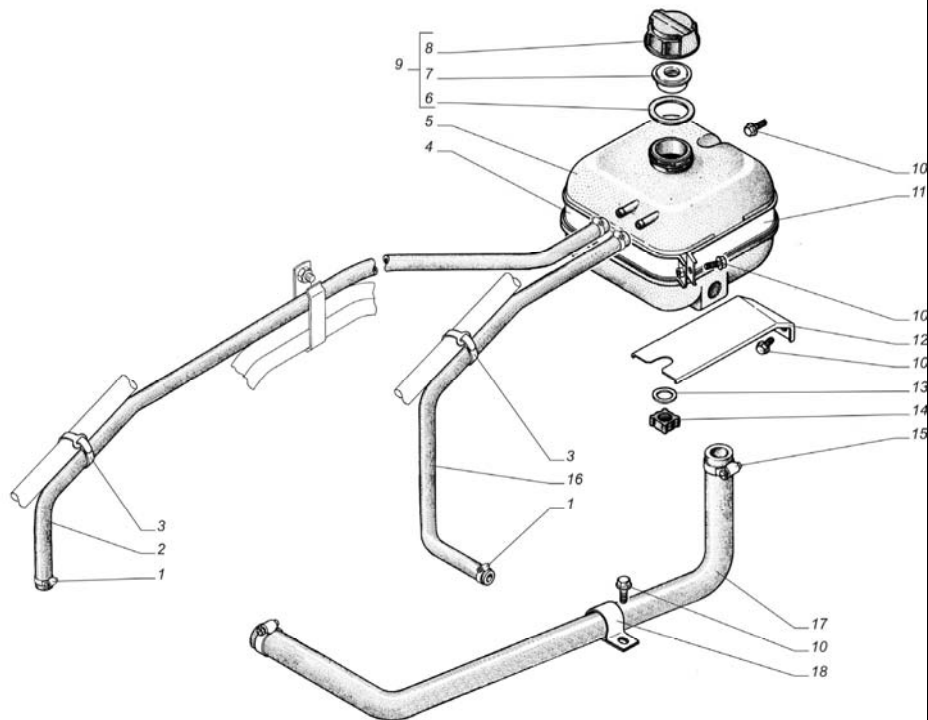


Fig. 25 Expansion tank with hoses, expansion tank plug

Pos.	Designation	Description	Quantity, pcs.			Remarks
			560	5601	5602	
1	TBOC-049.001-01	Clamp 12-18 TY 4599-003-03966022-00	3	3	3	Instead of 00.10.00-07
1	00.10.00-07	Clamp 12-18 TO17-9-20-98	3	3	3	Instead of TBOC-049.001-01
2	330242-1311162	Hose	1	1	1	
3	49-3724527	Wire bunch fastening belt	2	2	2	
4	2705-1311106	Buckle	1	1	1	
5	2705-1311010	Expansion tank	1	1	1	
6	3302-1311081	Gasket	1	1	1	
7	3302-1311070-01	Valve block	1	1	1	
8	3302-1311066-01	Expansion tank plug body	1	1	1	
9	3302-1311065	Expansion tank plug	1	1	1	Instead of ПРБ 01.066.000
9	ПРБ01.066.000	Expansion tank plug TY 4573-007-25290192-02	1	1	1	Instead of 3302-1311065
10	4593761-102	Bolt M6-6gx16 OCT 37.001.193-83	6	6	6	
11	2705-1311072-10	Clamp	1	1	1	
12	2705-1311113	Bracket	1	1	1	
13	293429-П29	Washer 16,5	1	1	1	
14	66-01-1311100	Nut	1	1	1	
15	TBOC-049.001-03	Clamp 20-32 TY 4599-003-03966022-00	1	1	1	Instead of 00.10.00-02, 00.78.00
15	00.10.00-02	Clamp 20-32 TO17-9-20-98	1	1	1	Instead of TBOC-049.001-03, 00.78.00
15	00.78.00	Clamp 20-32 TY 4599-001-21511064-94	1	1	1	Instead of TBOC-049.001-03, 00.10.00-02
16	40П-1023101-10	Hose	1	1	1	
17	31029-1311095	Hose	1	1	1	
18	53-1015054	Buckle	1	1	1	

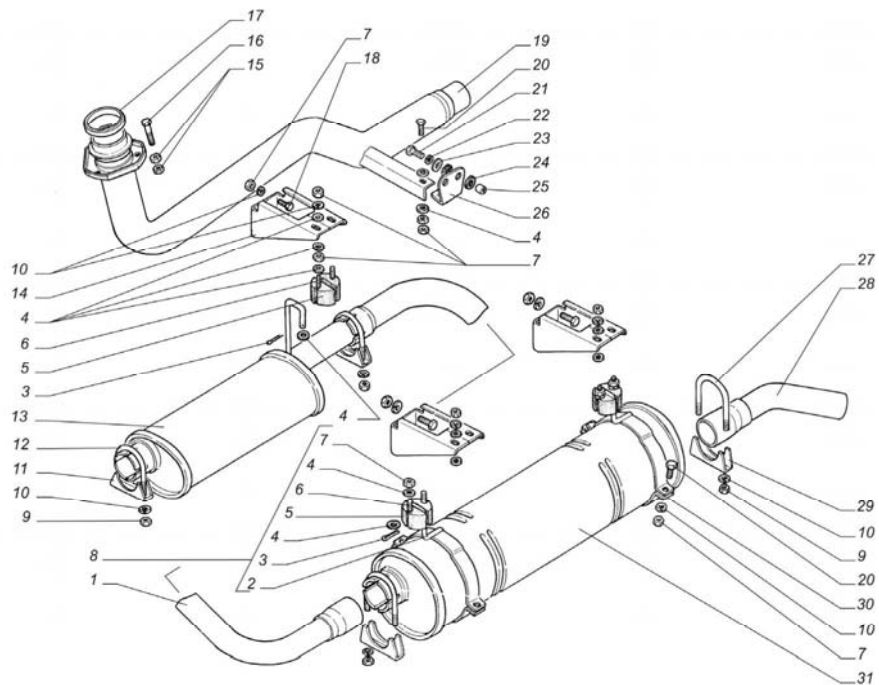


Fig. 26 Muffler, resonator, muffler pipes of GAZelle vehicle with GAZ-560 engine

Pos.	Designation	Description	Quantity, pcs.			Remarks
			560	5601	5602	
1	33021-1203238	Connecting pipe	1			
2	33021-1203039	Bracket	2			
3	258024-II29	Split pin 2,5x16 OCT 37.001.171-93	3			
4	252005-II29	Washer 8 OCT 37.001.144-96	23			
5	33078-1203163	Shock absorber	3			
6	3302-1203105	Bracket	3			
7	250510-II29	Nut M8-6H OCT 37.001.124-93	24			
8	33021-1203099	Muffler bracket	2			
9	250511-II29	Nut M8x1-6H OCT 37.001.124-93	8			
10	252135-II2	Washer 8T OCT 37.001.115-75	24			
11	11-5249-A	Clamp	2			
12	51-1203033	U-bolt	2			
13	330242-1202008	Resonator	1			
13	33027-1202008	Resonator	1			4WD
14	33027-1203104	Bracket	3			
15	292765-II	Nut M10x1	6			
16	200345-II5	Bolt M10x1x50	3			
17	4301-1203360	Gasket	1			
18	201455-II29	Bolt M8-6gx18 OCT 37.001.123-96	6			
19	330242-1203010	Receiving pipe	1			
20	201460-II29	Bolt M8-6gx30 OCT 37.001.123-96	4			
21	201500-II29	Bolt M10-6gx32 OCT 37.001.123-96	2			
22	252136-II2	Washer 10.OT OCT 37.001.115-75	2			
23	293307-II29	Washer	2			
24	21-1302094	Gasket	4			
25	2010-1001095	Bushing	2			
26	31029-1203272-10	Bracket	1			
27	53A-1203033-01	U-bolt	2			
28	3302-1203170	Exhaust pipe	1			
28	27057-1203170-01	Exhaust pipe	1			4WD
29	53A-1203031	Clamp	2			
30	4301-1203069	Muffler fastening clamp	2			
31	33078-1201010	Muffler	1			

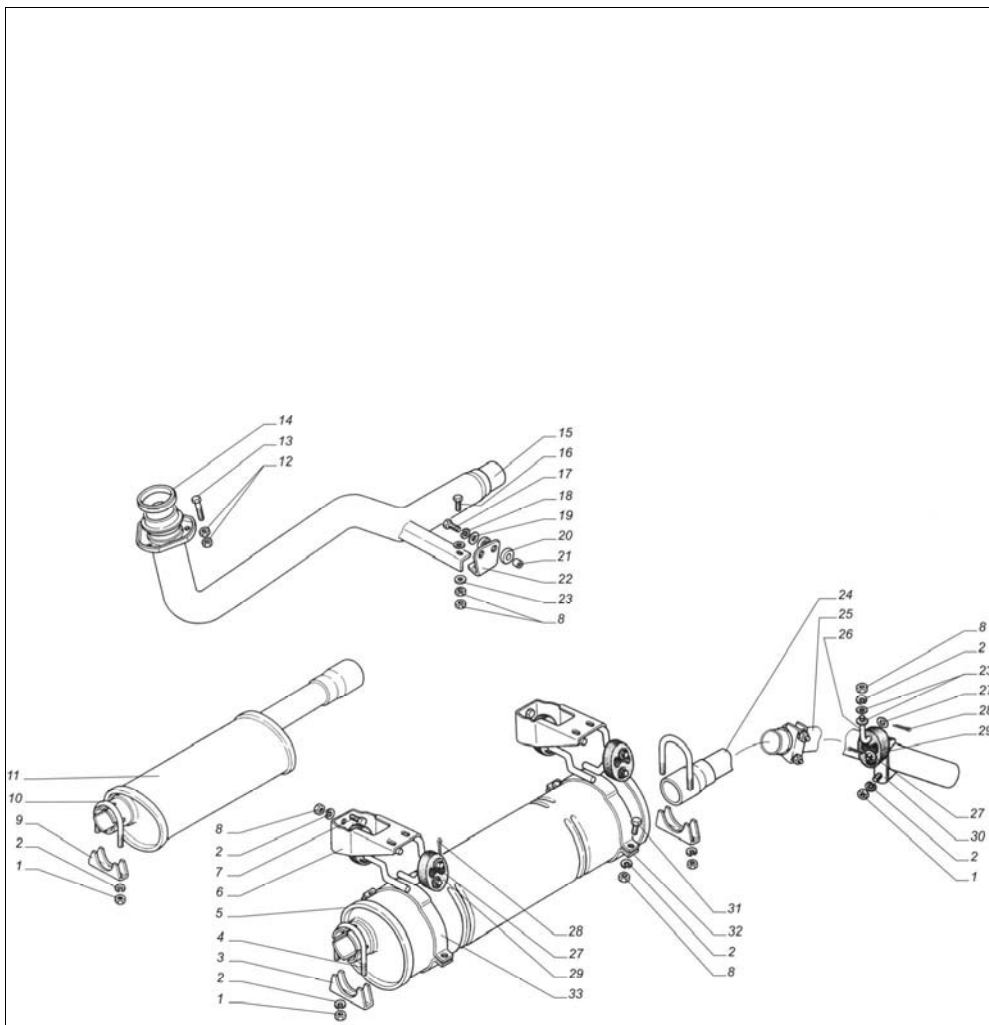


Fig. 27 Muffler, resonator, muffler pipes of Sobol vehicle with GAZ-560 engine

Pos.	Designation	Description	Quantity, pcs.			Remarks
			560	5601	5602	
1	250511-II29	Nut M8x1-6H OCT 37.001.124-93	10			
2	252135-II2	Washer 8T OCT 37.001.115-75	19			
3	53A-1203031	Clamp	2			
4	53A-1203033-01	U-bolt	2			
5	33078-1201010	Muffler	1			
6	2217-1203102-10	Bracket	2			
7	201458-II29	Bolt M8-6gx25 OCT 37.001.123-96	5			
8	250510-II29	Nut M8-6H OCT 37.001.124-93	11			
9	11-5249-A	Clamp	3			
10	51-1203033	U-bolt	3			
11	2217-1202008-20	Resonator	1			
12	292765-II	Nut M10x1	6			
13	200345-II5	Bolt M10x1x50	3			
14	4301-1203360	Gasket	1			
15	330242-1203010	Receiving pipe	1			
16	201458-II29	Bolt M8-6gx25 OCT 37.001.123-96	5			
17	201501-II29	Bolt M10-6gx35 OCT 37.001.123-96	2			
18	252156-II2	Washer 10JI OCT 37.001.115-75	2			
19	293307-II29	Washer	4			
20	21-1302094	Gasket	4			
21	2010-1001095	Bushing	2			
22	31029-1203272-10	Bracket	1			
23	252005-II29	Washer 8 OCT 37.001.144-96	4			
24	2217-1203170-10	Exhaust pipe with branch pipe	1			
25	2217-1203430-01	Exhaust pipe	1			
26	2217-1203112	Bracket	1			
27	252007-II29	Washer 12 OCT 37.001.144-96	10			
28	258052-II29	Split pin 4x20 OCT 37.001.171-93	10			
29	3105-1203163	Shock absorber	5			
30	2310-1203090	Bracket	1			
31	201460-II29	Bolt M8-6gx30 OCT 37.001.123-96	4			
32	4301-1203069	Muffler fastening clamp	2			
33	2217-1203039-10	Muffler bracket	2			

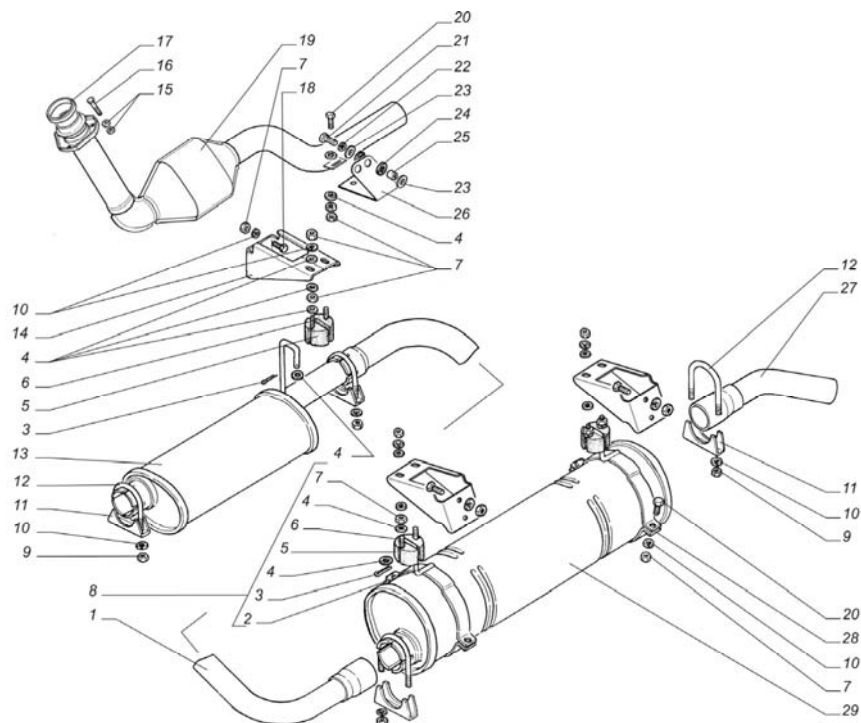


Fig. 28 Muffler, resonator, catalytic converter, muffler pipes of GAZelle vehicle with GAZ-5601 engine

Pos.	Designation	Description	Quantity, pcs.			Remarks
			560	5601	5602	
1	2705-1203250	Connecting pipe		1		
2	33021-1203039	Bracket		2		
3	258024-II29	Split pin 2,5x16 OCT 37.001.171-93		3		
4	252005-II29	Washer 8 OCT 37.001.144-96		23		
5	33078-1203163	Shock absorber		3		
6	3302-1203105	Bracket		3		
7	250510-II29	Nut M8-6H OCT 37.001.124-93		24		
8	33021-1203099	Muffler bracket		2		
9	250511-II29	Nut M8x1-6H OCT 37.001.124-93		8		
10	252135-II2	Washer 8T OCT 37.001.115-75		24		
11	53A-1203033-01	U-bolt		4		
12	53A-1203031	Clamp		4		
13	2705-1202008-10	Resonator with tip		1		
14	33027-1203104	Bracket		3		
15	292765-II	Nut M10x1		6		
16	200345-II5	Bolt M10x1x50		3		
17	4301-1203360	Gasket		1		
18	201455-II29	Bolt M8-6gx18 OCT 37.001.123-96		6		
19	330242-1203010-10	Receiving pipe with catalytic converter		1		Instead of 330242.1206008
19	330242.1206008	Catalytic converter		1		Instead of 330242- 1203010-10
20	201460-II29	Bolt M8-6gx30 OCT 37.001.123-96		5		
21	201500-II29	Bolt M10-6gx32 OCT 37.001.123-96		2		
22	252136-II2	Washer 10.OT OCT 37.001.115-75		2		
23	293307-II29	Washer		4		
24	21-1302094	Gasket		4		
25	2010-1001095	Bushing		2		
26	330242-1203272	Bracket		1		
27	3309-1203050	Exhaust pipe		1		
27	2705-1203170-20	Exhaust pipe		1		bus
28	4301-1203069	Muffler fastening clamp		2		
29	2705-1201010	Muffler		1		

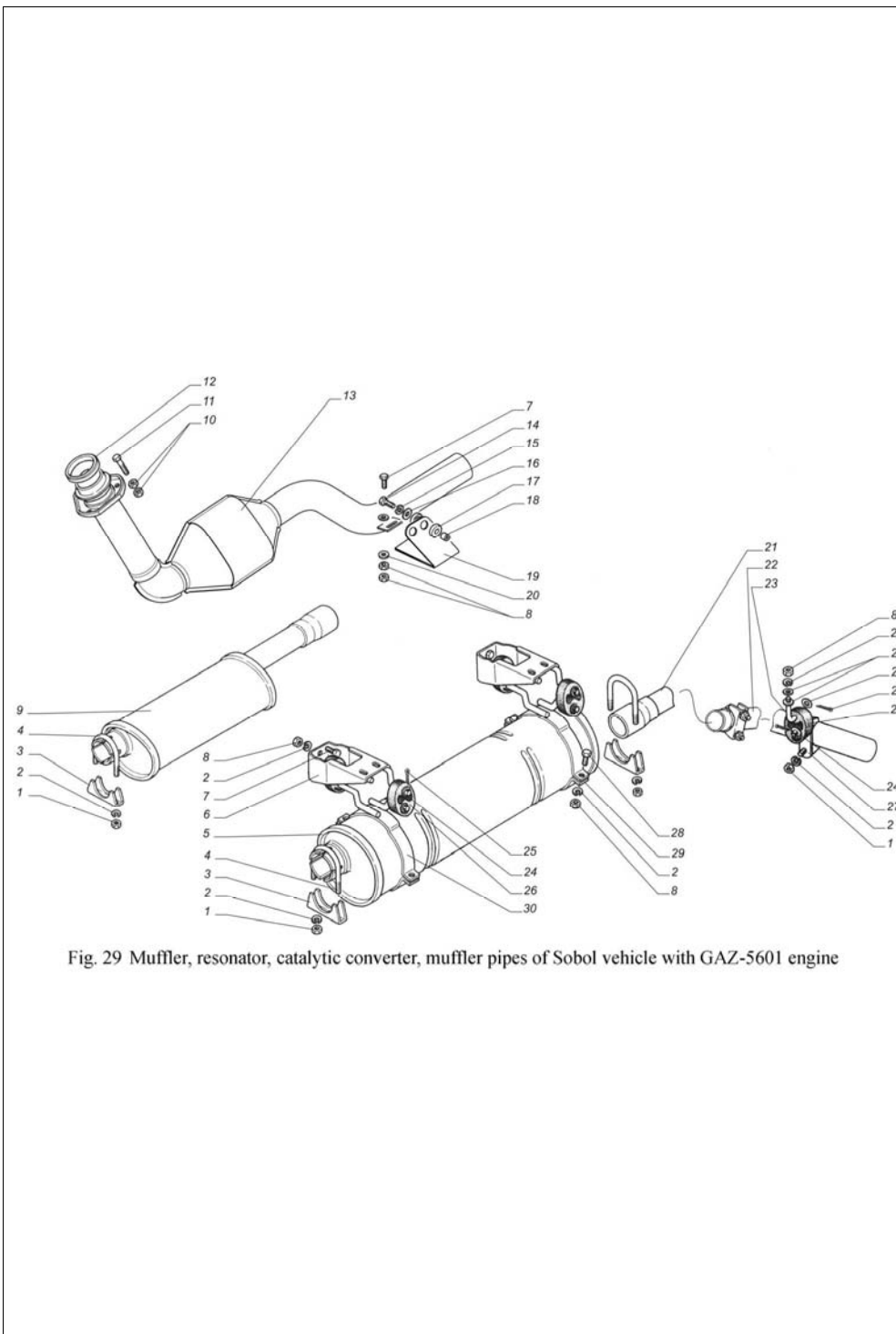


Fig. 29 Muffler, resonator, catalytic converter, muffler pipes of Sobol vehicle with GAZ-5601 engine

Pos.	Designation	Description	Quantity, pcs.			Remarks
			560	5601	5602	
1	250511-II29	Nut M8x1-6H OCT 37.001.124-93		10		
2	252135-II2	Washer 8T OCT 37.001.115-75		19		
3	53A-1203033-01	U-bolt		5		
4	53A-1203031	Clamp		5		
5	2705-1201010	Muffler		1		
6	2217-1203102-10	Bracket		2		
7	201458-II29	Bolt M8-6gx25 OCT 37.001.123-96		5		
8	250510-II29	Nut M8-6H OCT 37.001.124-93		11		
9	2217-1202008-30	Resonator with tip		1		
10	292765-II	Nut M10x1		6		
11	200345-II5	Bolt M10x1x50		3		
12	4301-1203360	Gasket		1		
13	330242-1203010-10	Receiving pipe with catalytic converter		1		Instead of 330242.1206008 Instead of 330242- 1203010-10
13	330242.1206008	Catalytic converter		1		
14	201501-II29	Bolt M10-6gx35 OCT 37.001.123-96		2		
15	252136-II2	Washer 10.OT OCT 37.001.115-75		2		
16	293307-II29	Washer		4		
17	21-1302094	Gasket		4		
18	2010-1001095	Bushing		2		
19	330242-1203272	Bracket		1		
20	252005-II29	Washer 8 OCT 37.001.144-96		4		
21	2217-1203170-20	Exhaust pipe		1		
22	2217-1203430-10	Exhaust pipe		1		
23	2217-1203112	Bracket		1		
24	252007-II29	Washer 12 OCT 37.001.144-96		10		
25	258052-II29	Split pin 4x20 OCT 37.001.171-93		10		
26	3105-1203163	Shock absorber		5		
27	2310-1203090-10	Bracket		1		
28	201460-II29	Bolt M8-6gx30 OCT 37.001.123-96		4		
29	4301-1203069	Muffler fastening clamp		2		
30	2217-1203039-10	Muffler bracket		2		

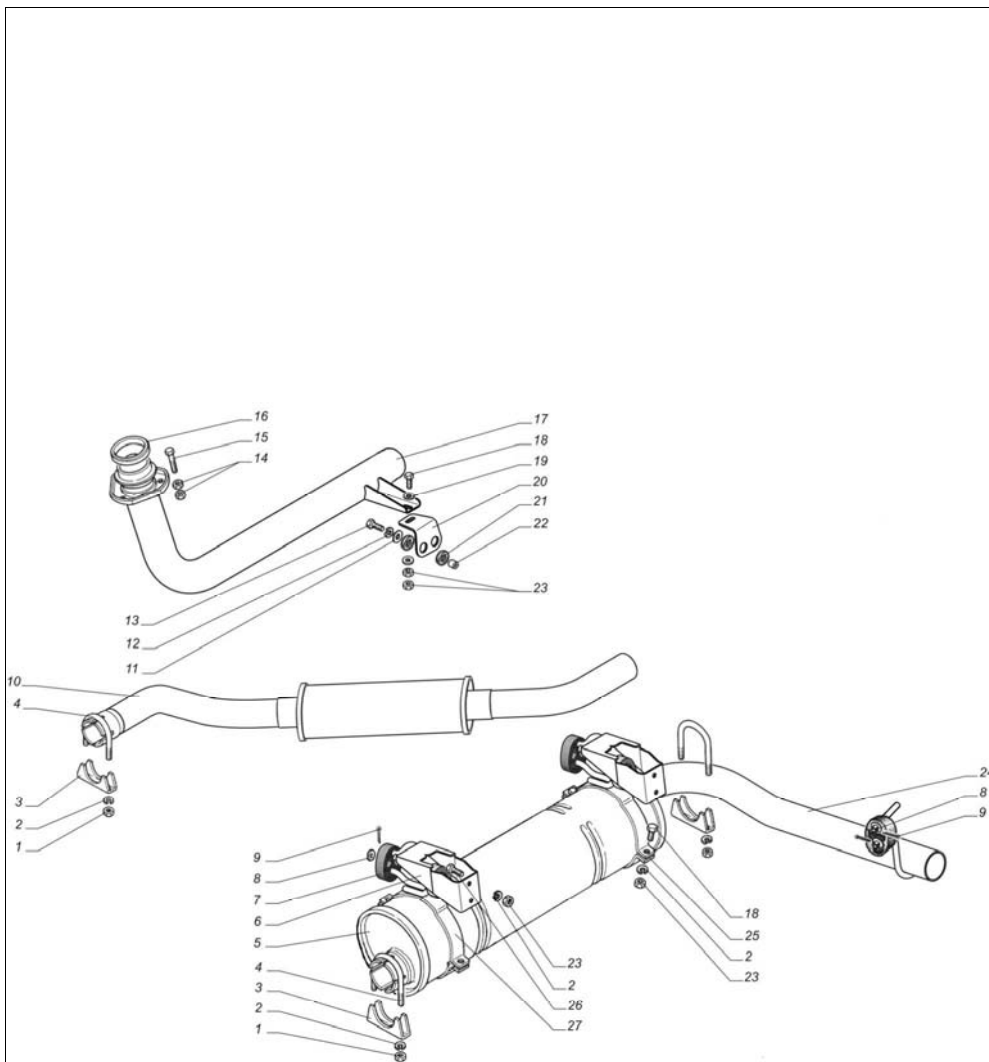


Fig. 30 Muffler, resonator, exhaust pipe of GAZelle vehicle with GAZ-5602 engine

Pos.	Designation	Description	Quantity, pcs.			Remarks
			560	5601	5602	
1	250511-II29	Nut M8x1-6H OCT 37.001.124-93		6	6	
2	252135-II2	Washer 8T OCT 37.001.115-75		14	14	
3	53A-1203031	Clamp		3	3	
4	53A-1203033-01	U-bolt		3	3	
5	2705-1201010	Muffler		1	1	
6	2217-1203102-10	Bracket		2	2	
7	3105-1203163	Shock absorber		5	5	
8	252007-II29	Washer 12 OCT 37.001.144-96		8	8	
9	258052-II29	Split pin 4x20 OCT 37.001.171-93		8	8	
10	330242-1202008-20	Resonator		1	1	
11	293307-II29	Washer		4	4	
12	252136-II2	Washer 10.OT OCT 37.001.115-75		2	2	
13	201500-II29	Bolt M10-6gx32 OCT 37.001.123-96		2	2	
14	292765-II	Nut M10x1		6	6	
15	200345-II5	Bolt M10x1x50		3	3	
16	4301-1203360	Gasket		1	1	
17	330242-1203010-20	Receiving pipe		1	1	
18	201460-II29	Bolt M8-6gx30 OCT 37.001.123-96		5	5	
19	252005-II29	Washer 8 OCT 37.001.144-96		2	2	
20	31029-1203272-10	Bracket		1	1	
21	21-1302094	Gasket		4	4	
22	20IO-1001095	Bushing		2	2	
23	250510-II29	Nut M8-6H OCT 37.001.124-93		10	10	
24	3309-1203050	Exhaust pipe		1	1	
25	4301-1203069	Muffler fastening clamp		2	2	
26	201455-II29	Bolt M8-6gx18 OCT 37.001.123-96		4	4	
27	2217-1203039-10	Muffler bracket		2	2	

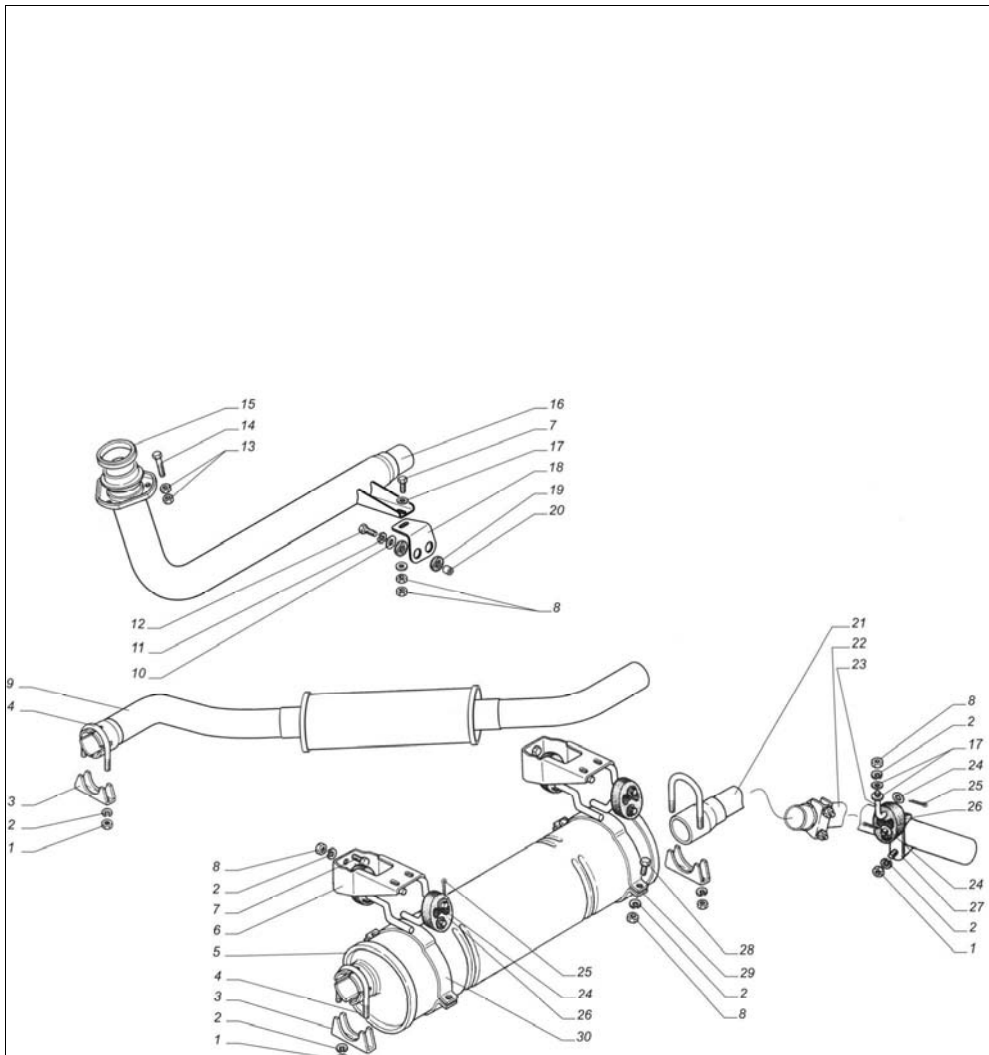


Fig. 31 Muffler, resonator, exhaust pipe of Sobol vehicle with GAZ-5602 engine

Pos.	Designation	Description	Quantity, pcs.			Remarks
			560	5601	5602	
1	250511-II29	Nut M8x1-6H OCT 37.001.124-93		6	6	
2	252135-II2	Washer 8T OCT 37.001.115-75		14	14	
3	53A-1203031	Clamp		3	3	
4	53A-1203033-01	U-bolt		3	3	
5	2705-1201010	Muffler		1	1	
6	2217-1203102-10	Bracket		2	2	
7	201458-II29	Bolt M8-6gx25 OCT 37.001.123-96		5	5	
8	250510-II29	Nut M8-6H OCT 37.001.124-93		11	11	
9	27527-1202008	Resonator		1	1	
10	293307-II29	Washer		4	4	
11	252136-II2	Washer 10.OT OCT 37.001.115-75		2	2	
12	201501-II29	Bolt M10-6gx35 OCT 37.001.123-96		2	2	
13	292765-II	Nut M10x1		6	6	
14	200345-II5	Bolt M10x1x50		3	3	
15	4301-1203360	Gasket		1	1	
16	330242-1203010-20	Receiving pipe		1	1	
17	252005-II29	Washer 8 OCT 37.001.144-96		4	4	
18	31029-1203272-10	Bracket		1	1	
19	21-1302094	Gasket		4	4	
20	2010-1001095	Bushing		2	2	
21	2217-1203170-20	Exhaust pipe		1	1	
22	2217-1203430-10	Exhaust pipe		1	1	
23	2217-1203112	Bracket		1	1	
24	252007-II29	Washer 12 OCT 37.001.144-96		10	10	
25	258052-II29	Split pin 4x20 OCT 37.001.171-93		10	10	
26	3105-1203163	Shock absorber		5	5	
27	2310-1203090-10	Bracket		1	1	
28	201460-II29	Bolt M8-6gx30 OCT 37.001.123-96		4	4	
29	4301-1203069	Muffler fastening clamp		2	2	
30	2217-1203039-10	Muffler bracket		2	2	

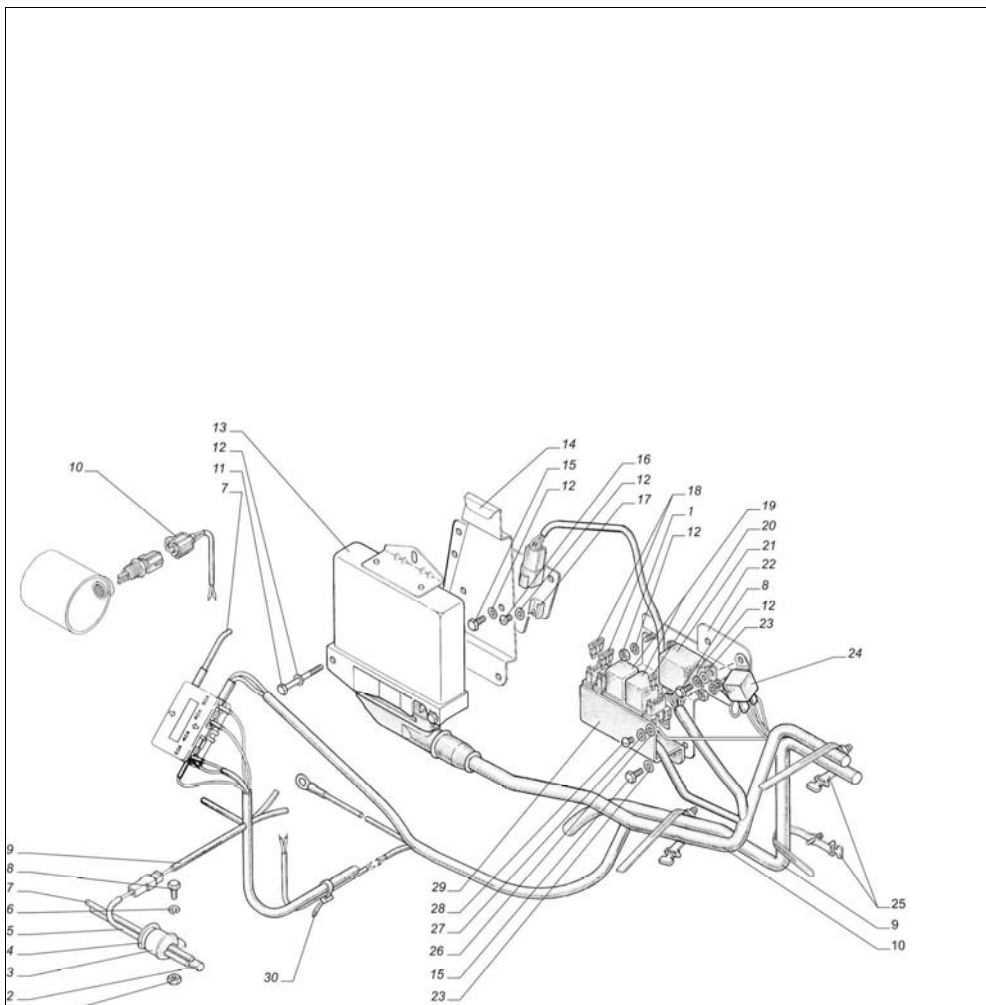


Fig. 32 Engine control unit, relay, fuses, harnesses and cables of engine control system

Pos.	Designation	Description	Quantity, pcs.			Remarks
			560	5601	5602	
1	250508-II29	Nut M6-6H OCT 37.001.124-93	6	6	6	
2	330242-3724050	Cable	1	1	1	
3	33021-3724073	Buckle	1	1	1	
4	A-14552	Bushing	1	1	1	
5	330242-3724107-10	Cable	1	1	1	
6	252154-II2	Washer 6Л OCT 37.001.115-75	2	2	2	
7	330242-3724144	Cable	1	1	1	
8	201417-II29	Bolt M6-6gx14 OCT 37.001.123-96	8	8	8	
9	330242-3724015-10	Harness 1	1	1	1	
10	330242-3761580-20	Engine control system harness	1	1		
10	3302-3761580	Engine control system harness			1	
11	200221-II29	Bolt M6-6gx60 OCT 37.001.122-96	2	2	2	
12	4599526-092	Washer 6	15	15	15	2pcs.to be used together with 47.3829000 or ЛГФИ. 406231.003
13	2176814/2	Control unit	1			
13	2176824/2	Control unit		1		Euro-2, without catalytic converter
13	2176824/0	Control unit		1		Euro-1
13	2176823/1	Control unit		1		Euro-2, with catalytic converter.
13	220.4001/0	Control unit			1	Euro-3
14	330242-3761190-30	Bracket	1	1	1	
15	201417-II29	Bolt M6-6gx14 OCT 37.001.123-96	7	7	7	
16	4594321-106	Screw M6-6gx10 OCT 37.001.127-81	1	1	1	
17	562.3761217	Holder	1	1	1	
18	35.3722.000-02	Safety fuse 35.3722-02 TY 37.469.013-95	2	2	2	
19	0332019109	Relay	2	2	2	Instead of 94.3747000, 19.3777.000
19	94.3747000	Relay 94.3747 TY 37.459.255-01	2	2	2	Instead of 0332019109, 19.3777.000
19	19.3777.000	Relay 19.3777 TY 37.469.045-2000	2	2	2	Instead of 0332019109, 94.3747000
20	35.3722.000	Safety fuse 35.3722 TY 37.469.013-95	1	1	1	
21	0332002156	Relay	1	1	1	
22	330242-3761196	Bracket	1	1	1	
23	252004-II29	Washer 6 OCT 37.001.144-96	6	6	6	2pcs.to be used together with 47.3829000 or ЛГФИ. 406231.003
24	711.3747.000-02	Starter relay 711.3747-02 TY 37.469.005-92	1	1	1	Instead of 3110-3747.000
24	3110-3747.000	Starter relay 3110-3747 3110-3747.000TY	1	1	1	Instead of 711.3747.000-02
25	3105-3724528	Clamp	13	13	13	
26	252003-II29	Washer 5 OCT 37.001.144-96	2	2	2	

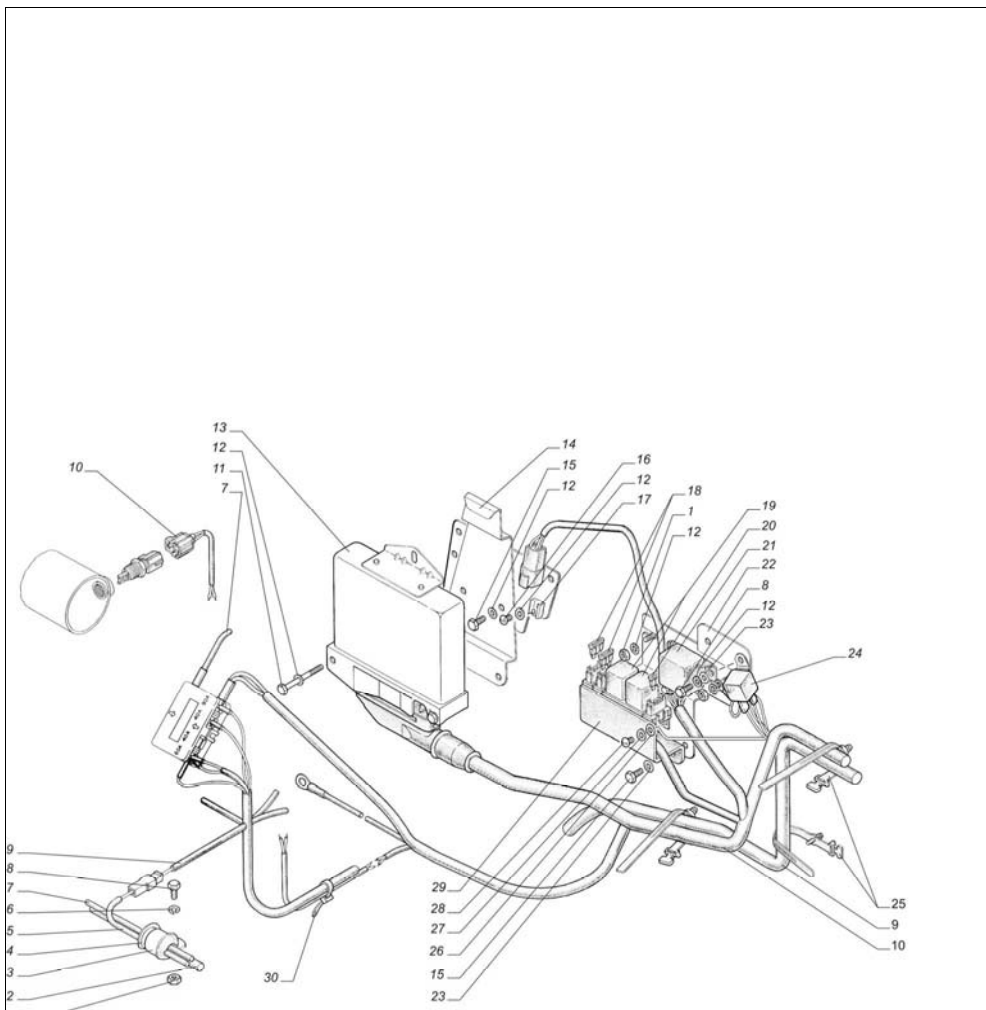


Fig. 32 Engine control unit, relay, fuses, harnesses and cables of engine control system

Pos.	Designation	Description	Quantity, pcs.			Remarks
			560	5601	5602	
27	4599526-075	Washer 5	2	2	2	
28	4594321-080	Screw M5-6gx12 OCT 37.001.127-81	2	2	2	
29	330242-3761068	Lining	1	1	1	
30	3105-3724527	Belt	2	2	2	

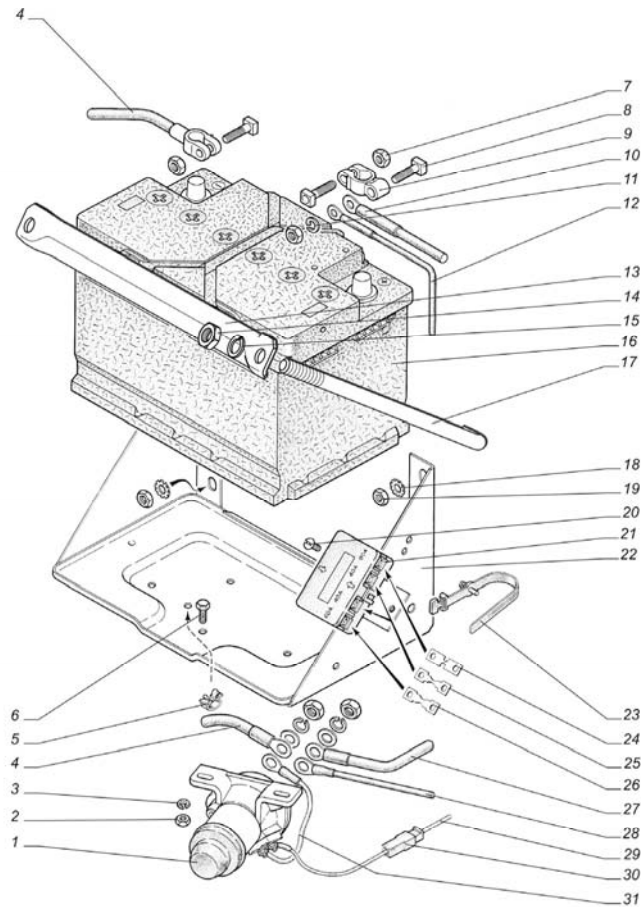


Fig. 34 Storage battery, battery switch, fuse block

Pos.	Designation	Description	Quantity, pcs.			Remarks
			560	5601	5602	
1	3302.3737100-08	Battery disconnect switch	1	1	1	Instead of 4573737-602
1	4573737-602	Battery disconnect switch 1300.3737 TY 37.466.042-94	1	1	1	Instead of 3302.3737100-08
2	250508-П29	Nut M6-6H OCT 37.001.124-93	2	2	2	
3	252154-П2	Washer 6Л OCT 37.001.115-75	2	2	2	
4	330242-3724150-11	Cable	1	1	1	
5	3105-3724527	Belt	1	1	1	
6	201415-П29	Bolt M6-6gx10 OCT 37.001.123-96	2	2	2	
7	4599524-026	Nut M8	3	3	3	
8	290659-П16	Bolt M8x30	3	3	3	
9	330701-3724310	Tip	1	1	1	
10	330242-3724050	Cable	1	1	1	
11	252135-П2	Washer 8T OCT 37.001.115-75	2	2	2	
12	330242-3724144	Cable	1	1	1	
13	330242-3703036	Storage battery fastening strap	1	1	1	
14	250610-П29	Nut M8-6H OCT 37.001.124-93	2	2	2	
15	252135-П2	Washer 8T OCT 37.001.115-75	2	2	2	
16	ВЖЯИИ.563412.01	Starter lead-acid storage battery 6CT-9-12A	1	1	1	
16	330242-3703011	Battery 12В 72Ач ТУ 3481-002-51760155-01	1	1	1	
16	330242-3703011-01	Battery 12В 75Ач ТУ 3481-002-51760155-01	1	1	1	
16	330242-3703011-02	Storage battery 6CT-74A ТУ Y.23073489.003-96	1	1	1	
17	53A-3703038	Storage battery fastening buckle	2	2	2	
18	4599526-205	Washer 8	4	4	4	
19	250610-П29	Nut M8-6H OCT 37.001.124-93	4	4	4	
20	4594321-081	Screw M5-6gx14 OCT 37.001.127-81	2	2	2	
21	Ф5.3722.001	Fuse block БПР-4 Ф54.811000ТУ	1	1	1	Instead of ВААФ.3722001
21	ВААФ.3722001	Fuse block БП4 ТУ4573-004-25616989-99	1	1	1	Instead of Ф5.3722.001
22	3302-3703025-01	Storage battery base	1	1	1	
23	3105-3724528	Clamp	13	13	13	
24	Ф57.710.002	Fuse link	1	1	1	
25	Ф57.710.000	Fuse link	2	2	2	
26	Ф57.710.001	Fuse link	1	1	1	
27	330242-3724376-20	Cable	1	1	1	
28	330242-3761580-20	Engine control system harness	1	1		
29	3302-3761580	Engine control system harness			1	
29	330242-3724015-10	Harness 1	1	1	1	
30	3302-3724110	Cable	1	1	1	
31	3302-3724343	Cable	1	1	1	

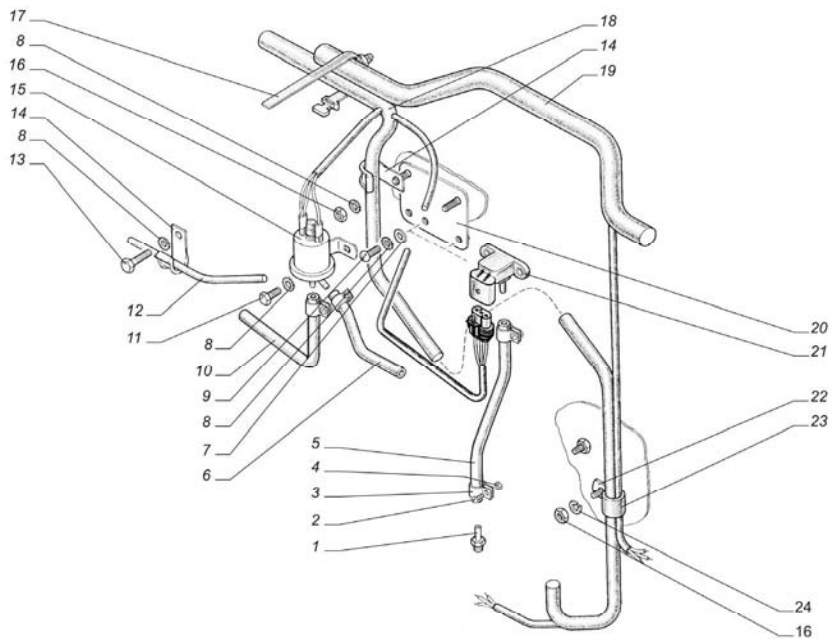


Fig. 35 Recirculation system electromagnetic valve, boost pressure valve, harnesses and cables of engine control system

Pos.	Designation	Description	Quantity, pcs.			Remarks
			560	5601	5602	
1	560.1118386-01	Connector	1	1	1	
2	220054-П29	Screw M4-6gx16 OCT 37.001.127-81	6	2	2	
3	24-10-1127070	Clamp	6	2	2	
4	251082-П29	Nut M4-6H OCT 37.001.112-91	6	2	2	
5	330242-1118387	Hose	1	1	1	
6	3302-1213155	Hose	1			
7	252004-П29	Washer 6 OCT 37.001.144-96	6	6	6	2 pcs.to be used together with 47.3829000
8	4599526-092	Washer 6	13	12	12	2pcs.to be used together with 47.3829000
9	4594321-108	Screw M6-6gx14 OCT 37.001.127-81	2	2	2	2pcs.to be used together with 47.3829000
10	3105-1726151	Vacuum drive pipe	1			
11	201417-П29	Bolt M6-6gx14 OCT 37.001.123-96	7	6	6	
12	560.3761602	Ignition plugs bundle	1	1	1	
13	201418-П29	Bolt M6-6gx16 OCT 37.001.123-96	1	1	1	
14	51-3724093	Buckle	2	2	2	
15	1902.3741000	Electromagnetic valve 1902.3741 TY 37.003.988-80	1			Instead of ИЖКЭ-3741000
15	ИЖКЭ-3741000	Electromagnetic valve ИЖКЭ-3741 TY 3.ЦТ-1.046-93	1			Instead of 1902.3741000
16	250508-П29	Nut M6-6H OCT 37.001.124-93	4	4	4	
17	3105-3724528	Clamp	13	13	13	
18	330242-3761580-20	Engine control system harness	1	1		
18	3302-3761580	Engine control system harness			1	
19	330242-3724015-10	Harness 1	1	1	1	
20	330242-3761134	Bracket	1			
20	330242-3761190-30	Bracket		1	1	
21	47.3829000	Charging air pressure sensor 47.3829 TY 37.473.003-99	1	1	1	Instead of ЛГФИ.406231.003
21	ЛГФИ.406231.003	Charging air pressure sensor ЛГФИ.406231.003 TY	1	1	1	Instead of 47.3829000
22	297506-П29	Buckle	1	1	1	
23	5903-3724720	Gasket	4	4	4	
24	252154-П2	Washer 6Л OCT 37.001.115-75	4	4	4	

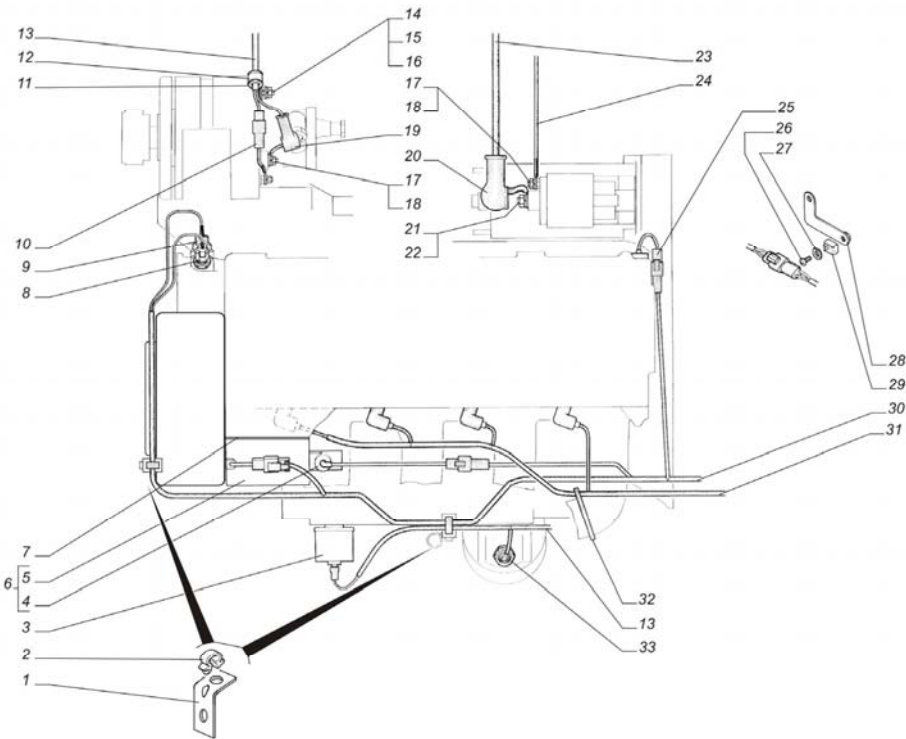


Fig. 36 Gage sensors, engine control system sensors

Pos.	Designation	Description	Quantity, pcs.			Remarks
			560	5601	5602	
1	560.3724088	Bracket	2	2	2	
2	3302-3724598	Buckle	2	2	2	
3	3902.3829010	Oil pressure sensor 3902.3829 TY 37.003.387-78	1	1	1	
4	2176628/2	Rod position sensor	1	1	1	
5	2176761/3	Servomagnet	1	1	1	
6	2205211/2	Servomagnet	1	1	1	
7	560.3761205	Gasket	1	1	1	Instead of 2205223/0
7	2205223/0	Gasket	1	1	1	Instead of 560.3761205
8	2174623/3	Cooling liquid temperature sensor	1	1	1	Instead of ИЦФР. 405213.002, 29.3828000
8	ИЦФР.405213.002	Temperature sensor ИЦФР.405213.002TY	1	1	1	Instead of 2174623/3, 29.3828000
8	29.3828000	Temperature sensor	1	1	1	Instead of 2174623/3, ИЦФР.405213.00 2
9	TM106-3808000-10	Water temperature indicator sensor TM106- 10 TY37.003.160-76	1	1	1	
10	330242-3724109	Cable	1	1	1	
11	66-3724250	Sealing gasket	1	1	1	
12	297503-П29	Buckle	1	1	1	
13	330242-3724015-10	Harness 1	1	1	1	
14	250464-П29	Nut M5-6H OCT 37.001.124-93	1	1	1	
15	252153-П2	Washer 5JI OCT 37.001.115-75	1	1	1	
16	252003-П29	Washer 5 OCT 37.001.144-96	1	1	1	
17	250508-П29	Nut M6-6H OCT 37.001.124-93	2	2	2	
18	252154-П2	Washer 6JI OCT 37.001.115-75	2	2	2	
19	53A-3724244	Protective cover	1	1	1	
20	40П-3724240	Protective cover	1	1	1	
21	250510-П29	Nut M8-6H OCT 37.001.124-93	1	1	1	
22	252155-П2	Washer 8JI OCT 37.001.115-75	1	1	1	
23	330242-3724050	Cable	1	1	1	
24	330242-3724107-10	Cable	1	1	1	
25	39.3843000	Rotary speed sensor	1	1	1	Instead of 2176734/2
25	2176734/2	Rotary speed sensor	1	1	1	Instead of 39.3843000
26	4599526-092	Washer 6	1	1	1	
27	220103-П29	Screw M6-6gx12 OCT 37.001.127-81	1	1	1	
28	560.3761200-10	Bracket	1	1	1	
29	562.3761217	Holder	1	1	1	
30	330242-3761580-20	Engine control system harness	1	1		
30	3302-3761580	Engine control system harness			1	
31	560.3761602	Ignition plugs bundle	1	1	1	
32	3105-3724527	Belt	1	1	1	
33	B10.3829.000	Oil limit pressure sensor B10.3829. B10.3829.000TY	1	1	1	Instead of 2602.3829010
33	2602.3829010	Oil limit pressure sensor 2602.3829 TY 37.453.092-93	1	1	1	Instead of B10.3829.000

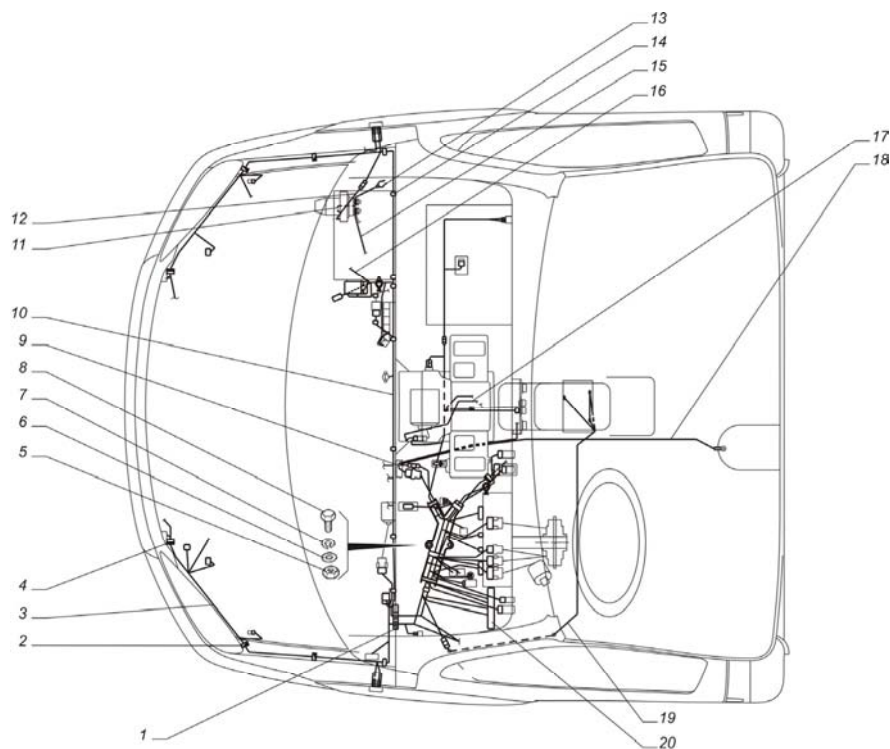


Fig. 37 Wiring harnesses with fuse blocks, electrical equipment devices

Pos.	Designation	Description	Quantity, pcs.			Remarks
			560	5601	5602	
1	3105-3724083	Sealant	1	1	1	
2	3302-3724600	Buckle	4	4	4	
3	3302-3724025-20	Harness 2	1	1	1	
4	3302-3724598	Buckle	3	3	3	
5	250508-II29	Nut M6-6H OCT 37.001.124-93	4	4	4	
6	252037-II29	Washer 6 OCT 37.001.144-96	1	1	1	
7	252154-II2	Washer 6JI OCT 37.001.115-75	4	4	4	
8	201420-II29	Bolt M6-6gx20 OCT 37.001.123-96	1	1	1	
9	3302-3724168	Harness 168	1	1	1	
10	330242-3724015-10	Harness 1	1	1	1	
11	3302-3724343	Cable	1	1	1	
12	3302-3724110	Cable	1	1	1	
13	330242-3724150-10	Cable	1	1	1	
14	3105-3724528	Clamp	13	13	13	
15	330242-3724376-20	Cable	1	1	1	
16	330242-3724144	Cable	1	1	1	
17	3302-3724053	Cable	1	1	1	
18	3302-3724185	Cable	1	1	1	
19	3302-3724038	Harness 38	1	1	1	
20	330242-3724103-12	Harnesses with fuse blocks	1	1	1	

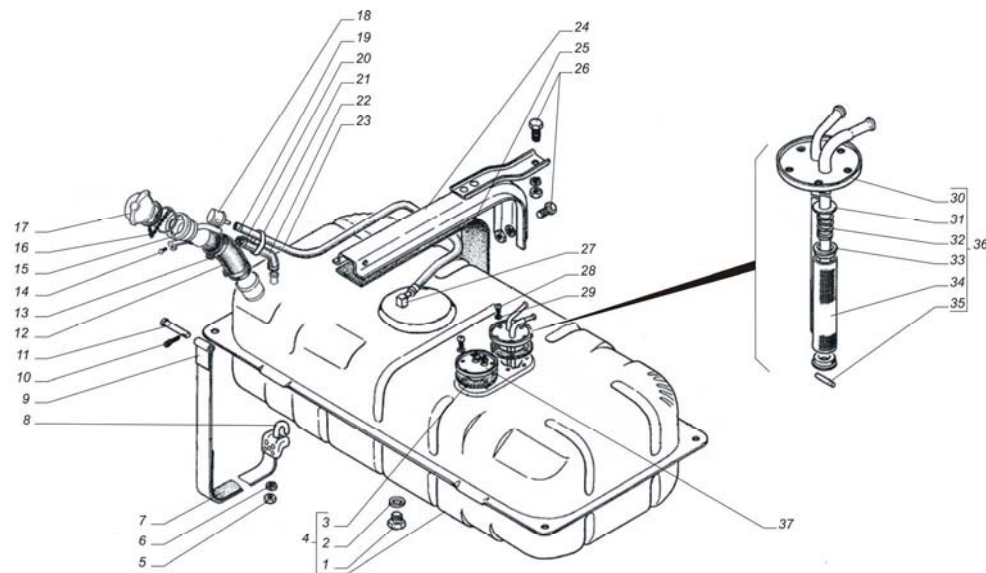


Fig. 38 Fuel tank, fuel receiver

Pos.	Designation	Description	Quantity, pcs.			Remarks
			560	5601	5602	
1	296494-II29	Plug M18x1,5x12	1	1	1	
2	297248-II	Gasket	1	1	1	
3	12-1104022	Gasket	2	2	2	
4	2705-1101010	Fuel tank	1	1	1	Instead of 3302-1101010, 2310-1101010, 32213-1101010
4	3302-1101010	Fuel tank	1	1	1	Instead of 2705-1101010, 2310-1101010, 32213-1101010
4	2310-1101010	Fuel tank	1	1	1	Instead of 2705-1101010, 3302-1101010, 32213-1101010
4	32213-1101010	Fuel tank	1	1	1	Instead of 2705-1101010, 3302-1101010, 2310-1101010
5	250512-II29	Nut M10-6H OCT 37.001.124-93	6	6	6	
6	252136-II2	Washer 10.OT OCT 37.001.115-75	6	6	6	
7	2705-1101120	Gasket	2	2	2	
8	3110-1101118	Hook	2	2	2	
9	2705-1101110	Clamp	2	2	2	
10	258038-II29	Split pin 3,2x16 OCT 37.001.171-93	2	2	2	
11	260043-II29	Pin 8x48 OCT 37.001.163-97	2	2	2	
12	2705-1101070	Filling pipe hose	1	1	1	
13	00.10.00-05	Clamp 50-62 TO17-9-20-98	2	2	2	Instead of TBOC-049.001-06
13	TBOC-049.001-06	Clamp 50-70 TY 4599-003-03966022-00	2	2	2	Instead of 00.10.00-05
14	224597-II29	Screw M5-6gx10 OCT 37.001.130-81	1	1	1	
15	2705-1101060-12	Fuel tank filling pipe	1	1	1	
16	20-1103078-B	Chain with ring assy	1	1	1	
17	3221-1103010	Fuel tank plug	1	1	1	
18	66-01-1101281	Fuel tank valve	1	1	1	
19	00.10.00-07	Clamp 12-18 TO17-9-20-98	2	2	2	
20	00.10.00-02	Clamp 20-32 TO17-9-20-98	2	2	2	Instead of TBOC-049.001-06
20	TBOC-049.001-03	Clamp 20-32 TY 4599-003-03966022-00	2	2	2	Instead of 00.10.00-05
21	41-3724527	Belt	1	1	1	
22	2705-1101078	Air pipe hose	1	1	1	
23	2705-1101079	Pipe	1	1	1	
24	2705-1101102	Bracket	2	2	2	
25	2705-1101121	Gasket under bracket	2	2	2	
26	201495-II29	Bolt M10-6gx20 OCT 37.001.123-96	4	4	4	
27	33021-1101281	Fuel tank valve	1	1	1	
28	4594321-080	Screw M5-6gx12 OCT 37.001.127-81	10	10	10	
29	293196-II	Washer 5JI OCT 37.001.115-75	10	10	10	
30	330242-1104016	Receiver flange with pipes	1	1	1	
31	293304-II	Washer	1	1	1	
32	20-3508161	Spring	1	1	1	

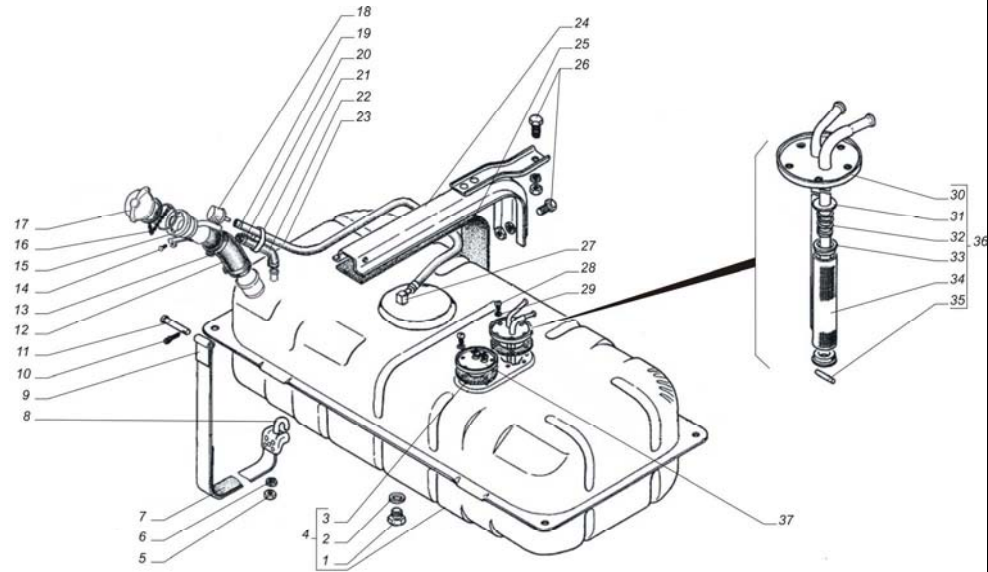


Fig. 38 Fuel tank, fuel receiver

Pos.	Designation	Description	Quantity, pcs.			Remarks
			560	5601	5602	
33	49-1104040-A	Filter flange	2	2	2	
34	5903-1104027	Receiving pipe filter	1	1	1	
35	4598411-344	Pin 3x16 OCT 37.001.118-2000	1	1	1	
36	330242-1104012	Receiver flange with filter	1	1	1	
37	5412.3827010	Fuel level indicator sensor, type 5412 TY 37.453.094-94	1	1	1	Instead of БШП2.834.044
37	БШП2.834.044	Fuel level indicator sensor, type 5412.3827 БШП2.834.035TY	1	1	1	Instead of 5412.3827010